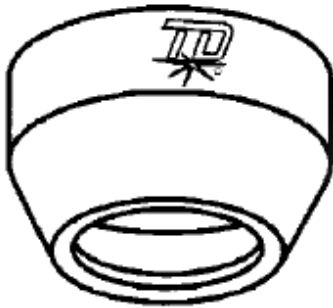
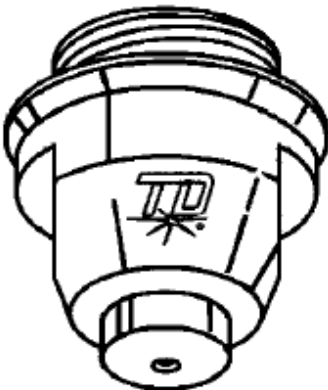


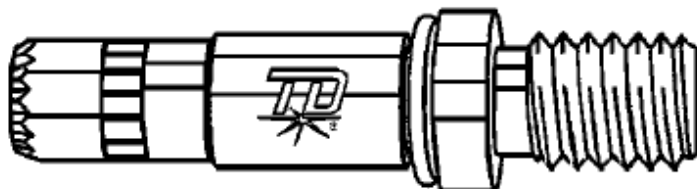
Look For the  Mark On Your Plasma Consumable Parts



GENUINE
THERMAL DYNAMICS



CONSUMABLES



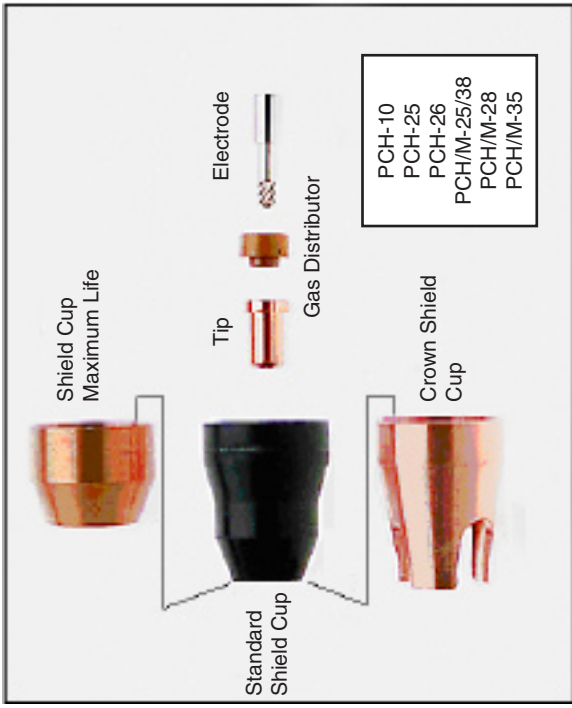


Unit/Torch Comparison
for
Thermal Dynamics Cutting Systems

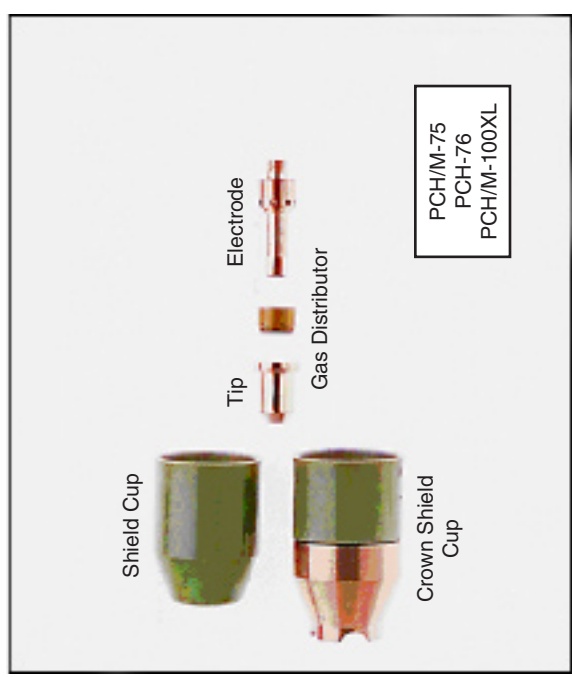
Unit	Torch
Drag-Gun	PCH-10
Cougar 125	PCH-10
Drag-Gun 38	PCH-25/38
Econopak 25	PCH-25
Econopak 50	PCH-26
Econopak 100	PCH-76
Pak Master 25	PCH-25
Pak Master 50	PCH/M-35
Pak Master 75	PCH/M-75
Pak Master 100	PCH/M-53, PCH-53P
Pak Master 38XL	PCH0-25/38
Pak Master 50XL	PCH/M-28
Pak Master 75XL	PCH/M-75
Cut Master 80XL	PCH/M-75
Pak Master 100XL	PCH/M-100XL
Pak Master 150XL	PCH/M-120
Dynapak 100	PCH-20
Dynapak 2XT	PCH-20
Dynapak 4Xi	PCH/M-51
Dynapak 6Xi	PCH/M-51
Pak 3	PCH-30
Pak 5	PCH-50, PCM-4BT
Pak 3XR, Pak-5XT	PCH/M-51
Pak 5XR, Pak-625XR	PCH/M-51, PCH/M-52, PCH/M-75
Pak 5XT	PCH/M-51
Pak 6XR, Pak-750XR	PCH/M-51, PCH/M-52
Pak 7XR	PCH/M-52
Pak 8XR, Pak-1000XR	PCH/M-52
Pak 10XR	PCH/M-52, PCH/M-100, PCM-4BT
Pak 1250XR	PCH/M-52
Pak-10	PCH/M-4B, PCHM-4BT
Stak Pak	PCH/M-35, PCH/M-70, PCH/M-140, PCH/M145
Pak-15XC	PCH/M-150
Pak-44, Pak 45	PCH/M-6B
TA-350, TA-500	M-200

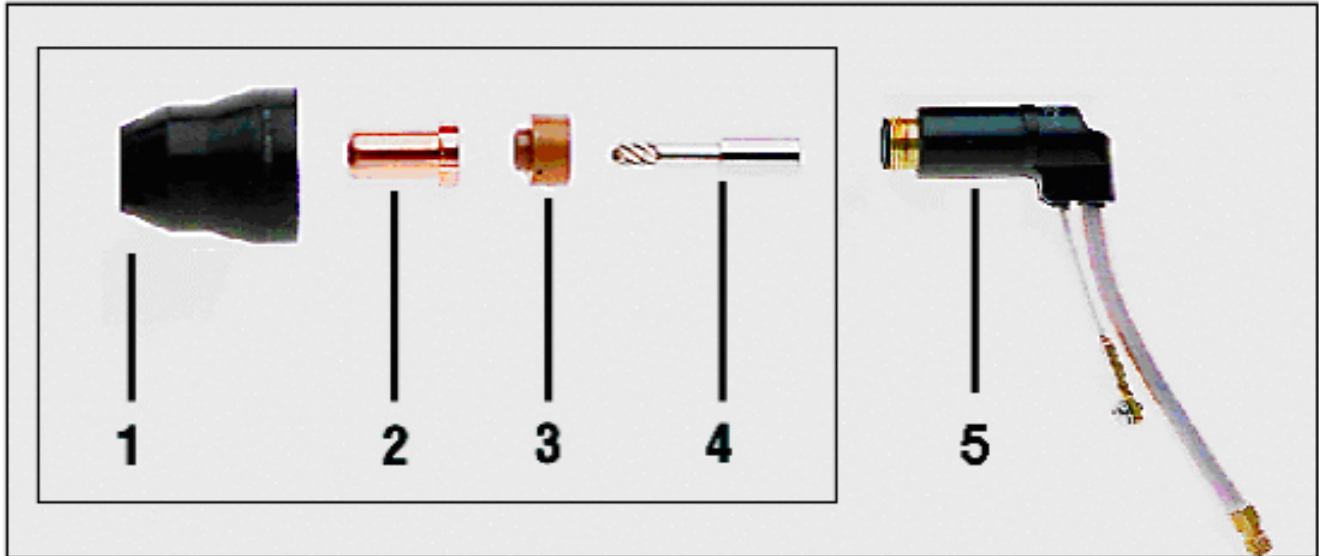
Thermal Dynamics Plasma Cutting Consumables
 Drag-Gun Econopak Pakmaster Cutmaster Pakmaster XL

Unit	Model #	Shield Cup			Tip				Gas Distributor			Electrode
		Std	Crown	Max Life	Drag	Standoff	Standoff	Standoff	Gouging	Cutting	Gouging	
Drag-Gun	PCH-10	9-6003	N/A	N/A	9-6099	N/A	N/A	N/A	9-6007	N/A	N/A	9-6006
Cougar 125	PCH-10	9-6003	N/A	N/A	9-4476	N/A	N/A	N/A	9-6007	N/A	N/A	9-6006
Drag-Gun 38	PCH-25/38	9-6003	N/A	N/A	9-6501	N/A	N/A	N/A	9-6507	N/A	N/A	9-6506
Econopak 25	PCH-25	9-6003	N/A	N/A	9-4476	N/A	N/A	N/A	9-6007	N/A	N/A	9-6006
Econopak 50	PCH-26	9-6003	N/A	N/A	9-6501	N/A	N/A	N/A	9-6507	N/A	N/A	9-6506
Econopak 100	PCH-76	8-7500	8-7507	8-7496	8-7503	8-7505 (60/70A)	8-7506	8-7508	8-7501	8-7508	8-7502	8-7502
Pak Master 25	PCH-25	9-6003		N/A	9-4476	N/A	N/A	N/A	9-6007	N/A	N/A	9-6006
Pak Master 50	PCH/M-35	9-6003	9-6004*	9-6503*	9-6501	9-6500	9-6502	N/A	9-6507	N/A	N/A	9-6506
Pak Master 75	PCH/M-75	8-7500	8-7507	8-7496	8-7503	8-7504 (55A)	8-7506	N/A	8-7501	8-7508	8-7502	8-7502
Pak Master 38XL	PCH-25/38	9-6003	N/A	N/A	9-6501	N/A	N/A	N/A	9-6507	N/A	N/A	9-6506
Pak Master 50XL	PCH/M-28	9-6003	9-6004*	9-6503*	9-6501	9-6500	9-6502	N/A	9-6507	N/A	N/A	9-6506
Pak Master 75XL	PCH/M-75	8-7500	8-7507	8-7496	8-7503	8-7504 (55A)	8-7506	N/A	8-7501	8-7508	8-7502	8-7502
Cut Master 80XL	PCH/M-75	8-7500	8-7507	8-7496	8-7503	8-7504 (55A)	8-7506	N/A	8-7501	8-7508	8-7502	8-7502
Pak Master 100XL	PCH/M-100XL	8-7500	8-7507	8-7496	8-7503	8-7504 (55A)	8-7506	N/A	8-7501	8-7508	8-7502	8-7502
Pak Master 150XL	PCH/M-120	20-1225	20-1226	N/A	N/A	20-1220 (35A)	20-1222 (120A)	20-1221 (70A)	20-1215	See Manual	See Manual	20-1210



* fits over 9-6003
 Parts photo for PCH/M-120 not shown



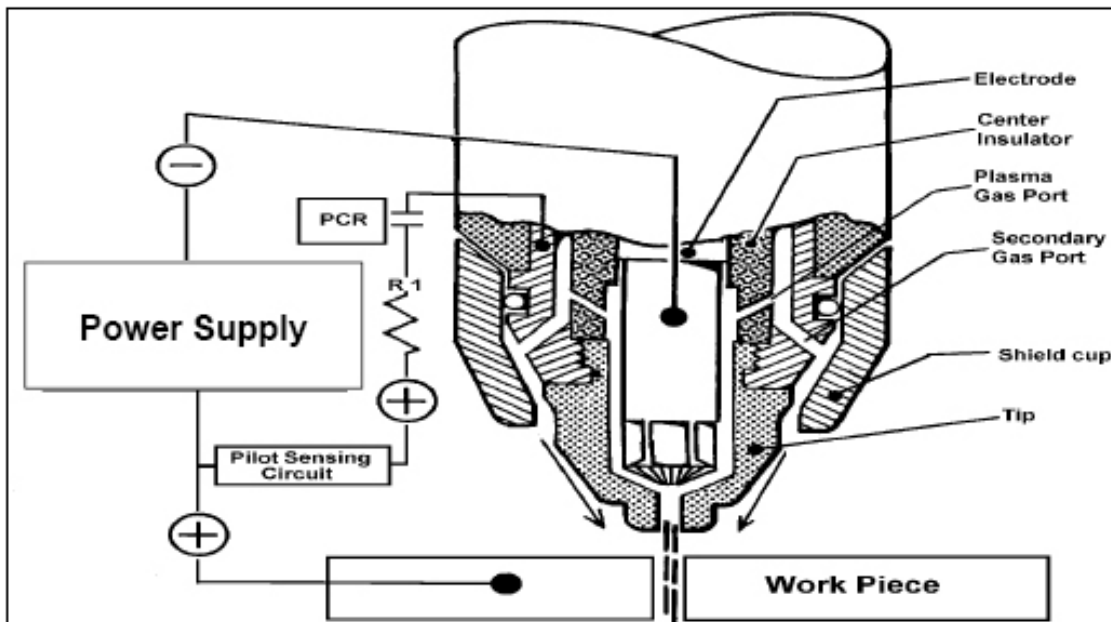


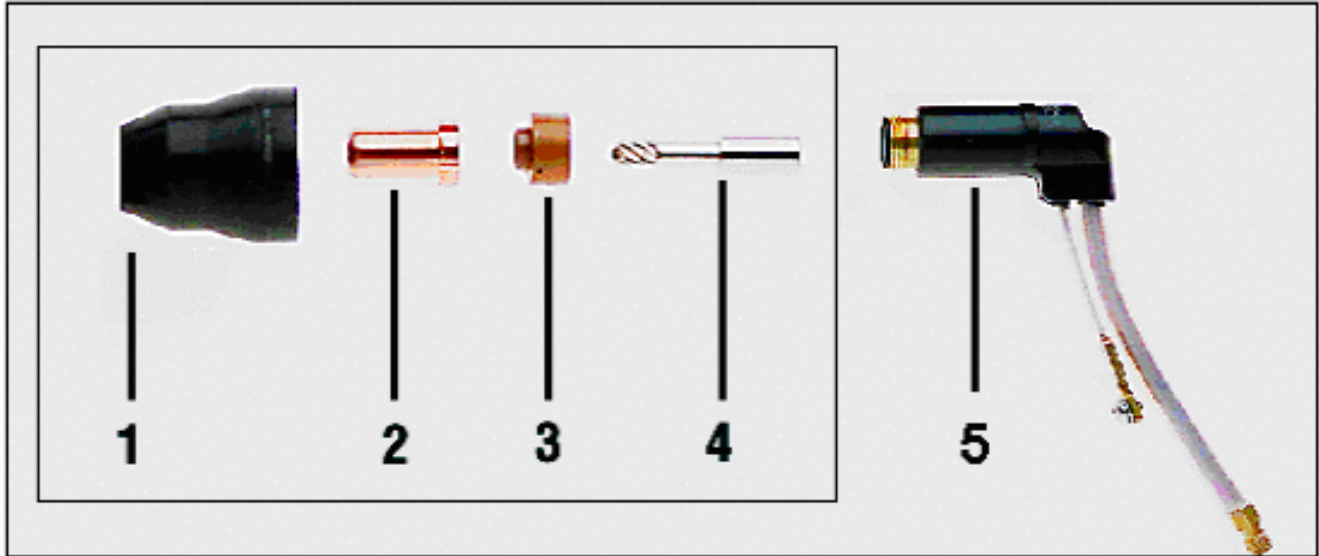
PCH-10

Item	Catalog Number	Description
1	9-6003	Shield Cup
2	9-6099	Tip - Air
3	9-6007	Gas Distributor
4	9-6006	Electrode
5	9-0016	PCH-10 70° Torch Head

Drag-Gun, Cougar 125

Thermal Tech Tips



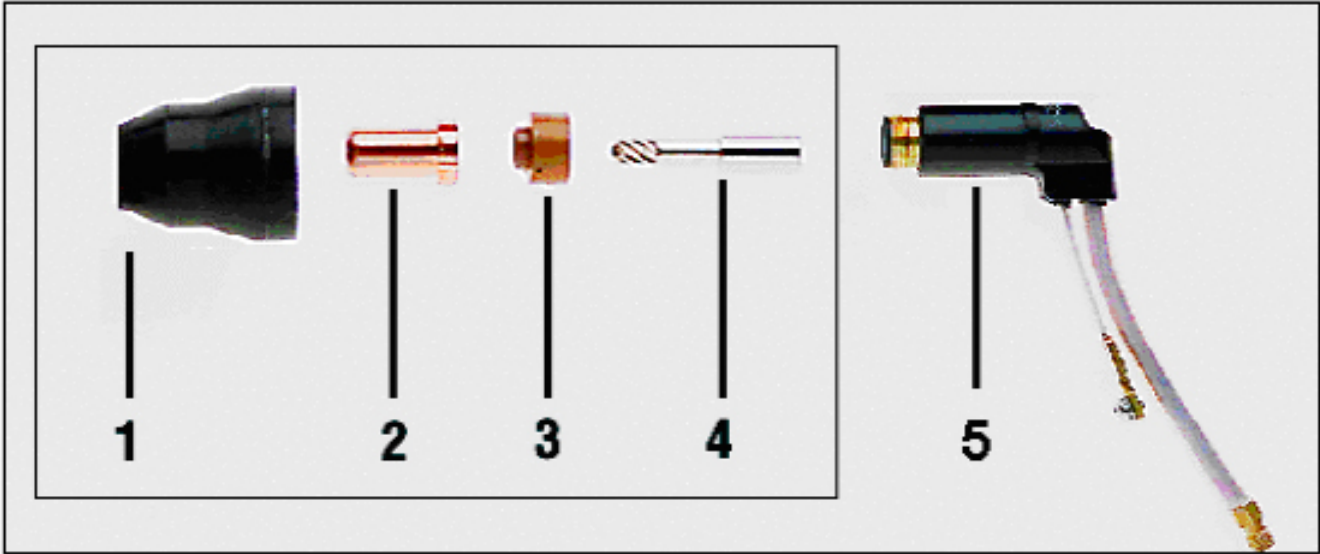


PCH-25

Item	Catalog Number	Description
1	9-6003	Shield Cup
2	9-4476	Tip - Air
3	9-6007	Gas Distributor
4	9-6006	Electrode
5	9-5807	PCH-25 70° Torch Head
5	9-5808	PCH-25 90° Torch Head

Econopak 25, Pak Master 25



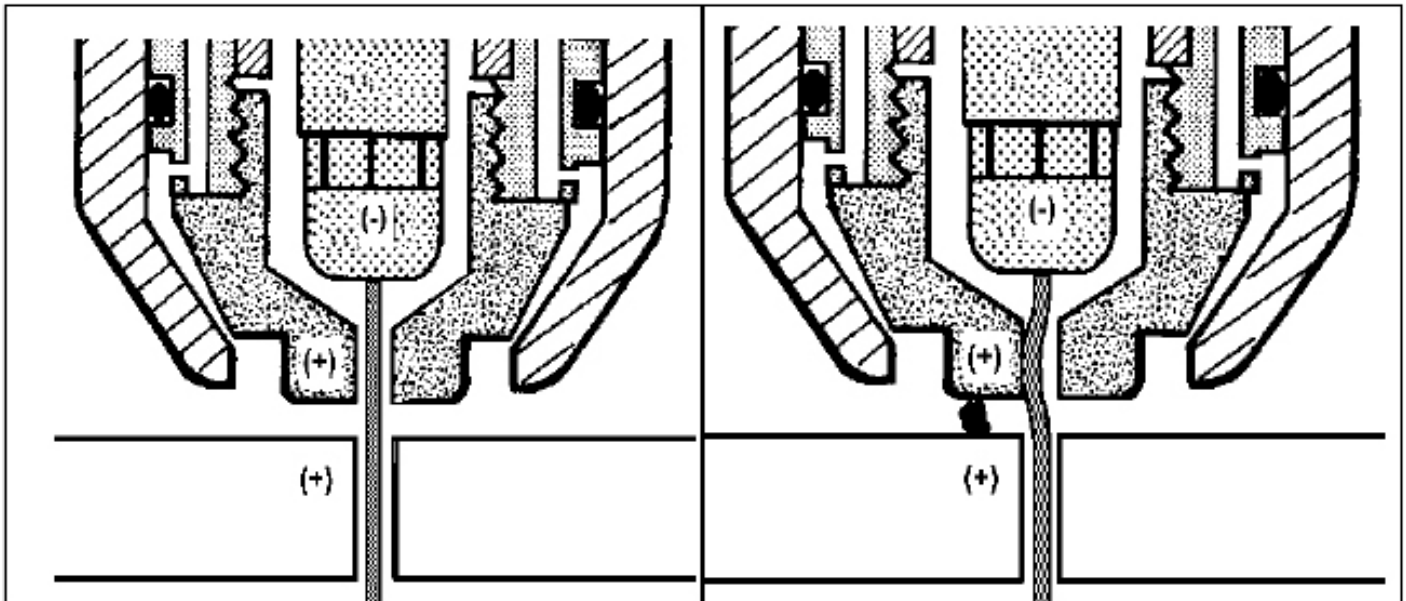


PCH-25/38

Item	Catalog Number	Description
1	9-6003	Shield Cup
2	9-6501	Tip - Air
3	9-6507	Gas Distributor
4	9-6506	Electrode
5	9-5807	PCH-25/38 70° Torch Head
5	9-5808	PCH-25/38 90° Torch Head

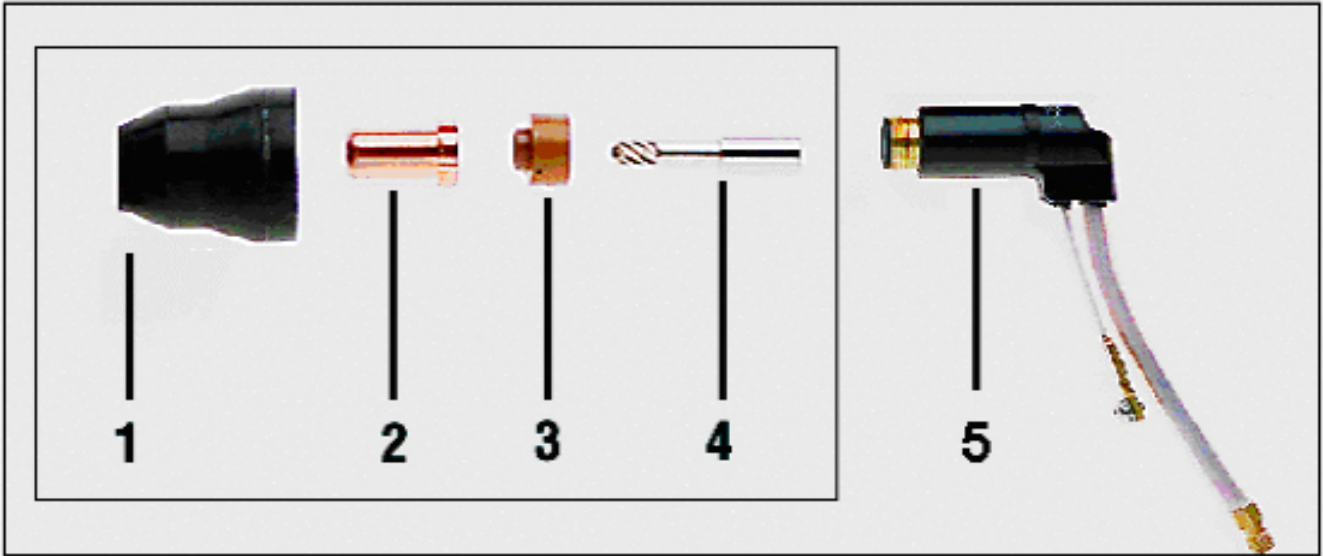
Pak Master 38XL, Drag-Gun 38

Thermal Tech Tips



Normal Arc

Double Arcing

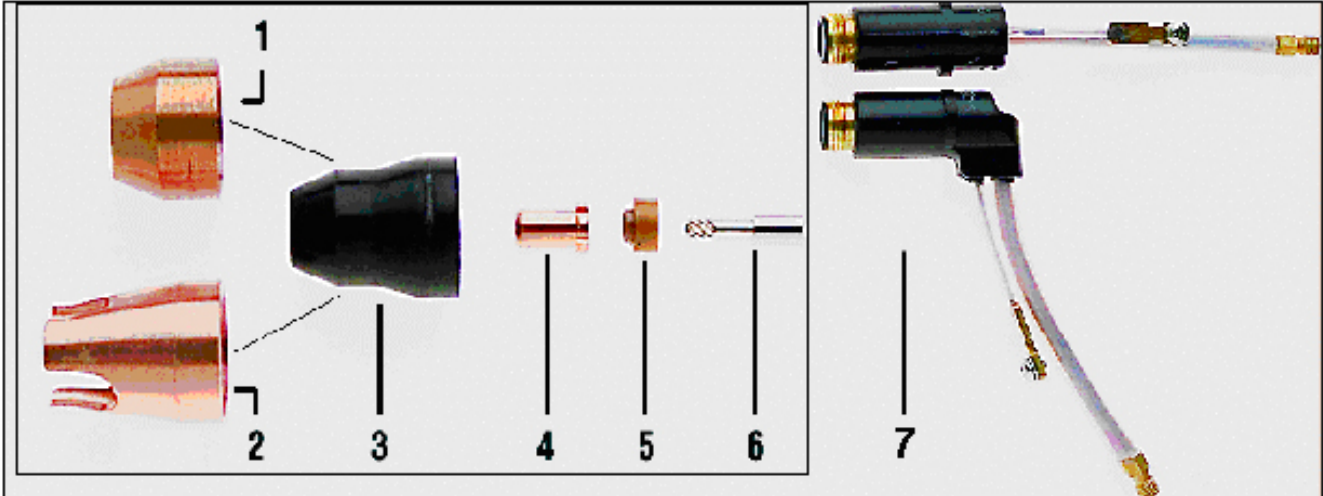


PCH-26

Item	Catalog Number	Description
1	9-6003	Shield Cup
2	9-6501	Tip - Air
3	9-6507	Gas Distributor
4	9-6506	Electrode
5	9-5807	PCH-26 70° Torch Head
5	9-5808	PCH-26 90° Torch Head

Econopak 50



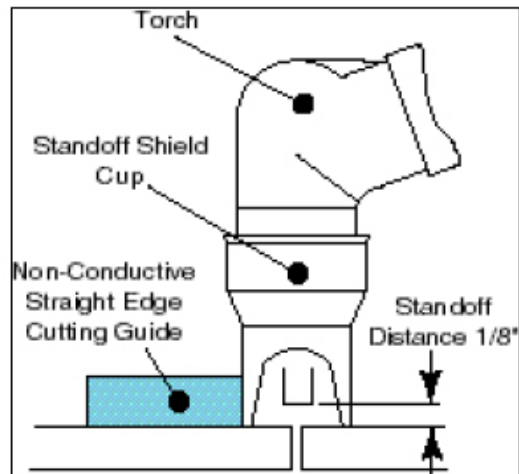


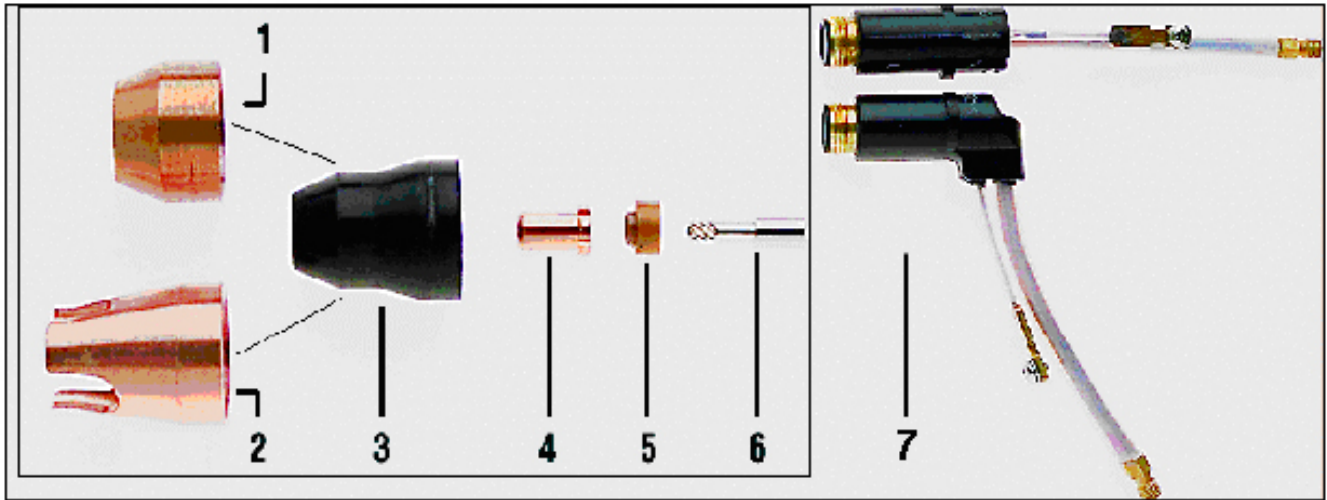
PCH/M-28

Item	Catalog Number	Description
1	9-6503	Shield Cup - Maximum Life (requires 9-6003)
2	9-6004	Shield Cup - Crown (requires 9-6003)
3	9-6003	Shield Cup - Std
4	9-6501	Tip - Drag
4	9-6500	Tip - Standoff
5	9-6507	Gas Distributor
6	9-6506	Electrode
7	9-5807	PCH-28 70° Torch Head
7	9-5808	PCH-28 90° Torch Head
7	9-5809	PCH-28 180° Torch Head

Pak Master 50XL

Thermal Tech Tips : Cutting w/ Standoff Cup



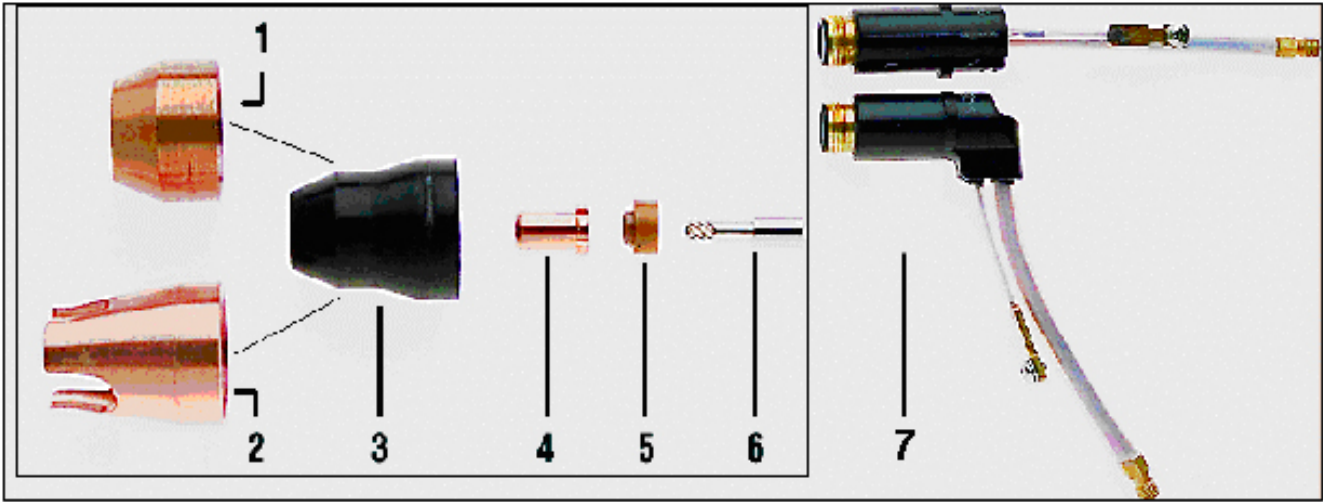


PCH/M-35

Item	Catalog Number	Description
1	9-6503	Shield Cup - Maximum Life (requires 9-6003)
2	9-6004	Shield Cup - Crown (requires 9-6003)
3	9-6003	Shield Cup - Std
4	9-6501	Tip - Drag
4	9-6500	Tip - Standoff
4	9-6502	Tip - Gouging
5	9-6507	Gas Distributor
6	9-6506	Electrode
7	9-5807	PCH-35 70° Torch Head
7	9-5808	PCH-35 90° Torch Head
7	9-5809	PCM-35 180° Torch Head

Pak Master 50, Stak Pak

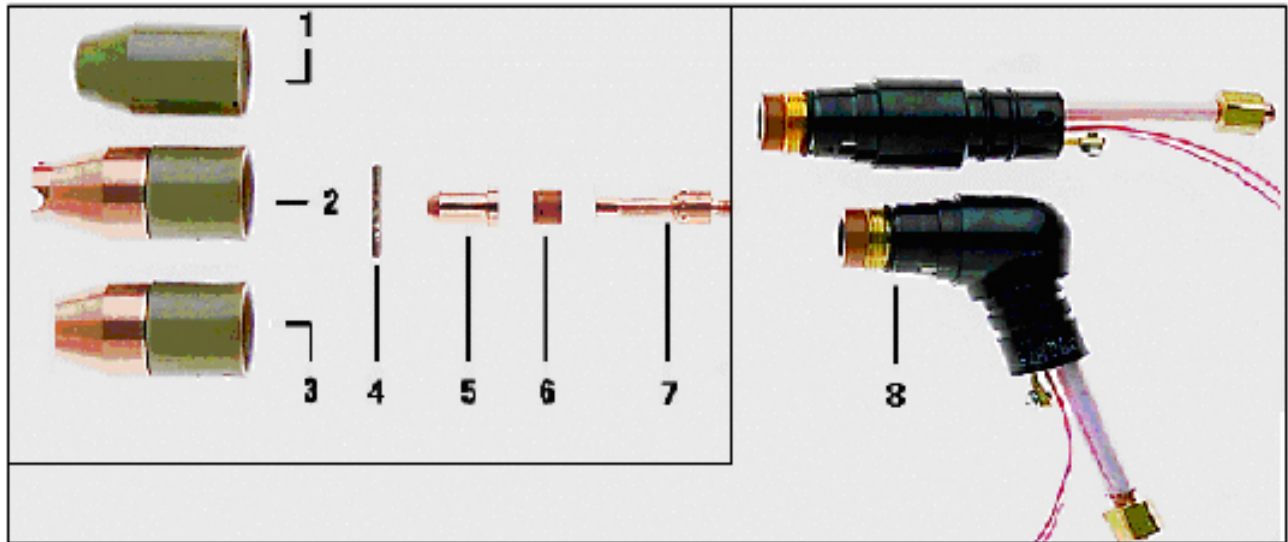




PCH/M-40

Item	Catalog Number	Description
1	9-6503	Shield Cup - Maximum Life (requires 9-6003)
2	9-6004	Shield Cup - Crown (requires 9-6003)
3	9-6003	Shield Cup - Std
4	9-6501	Tip - Drag
4	9-6500	Tip - Standoff
4	9-6502	Tip - Gouging
5	9-6507	Gas Distributor
6	9-6506	Electrode
7	9-8055	PCH-40 70° Torch Head
7	9-8054	PCH-40 90° Torch Head
7	9-8053	PCM-40 180° Torch Head

Pakmaster 50XL

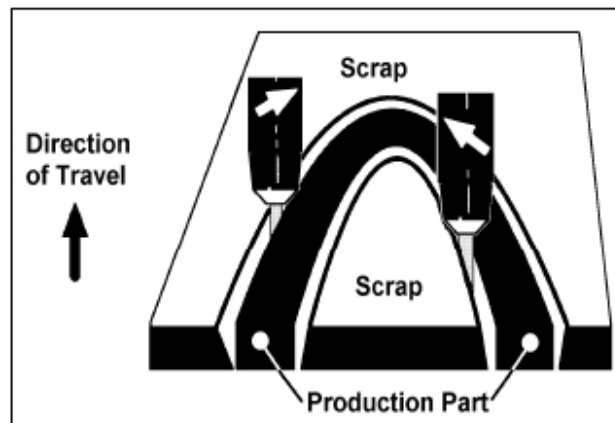


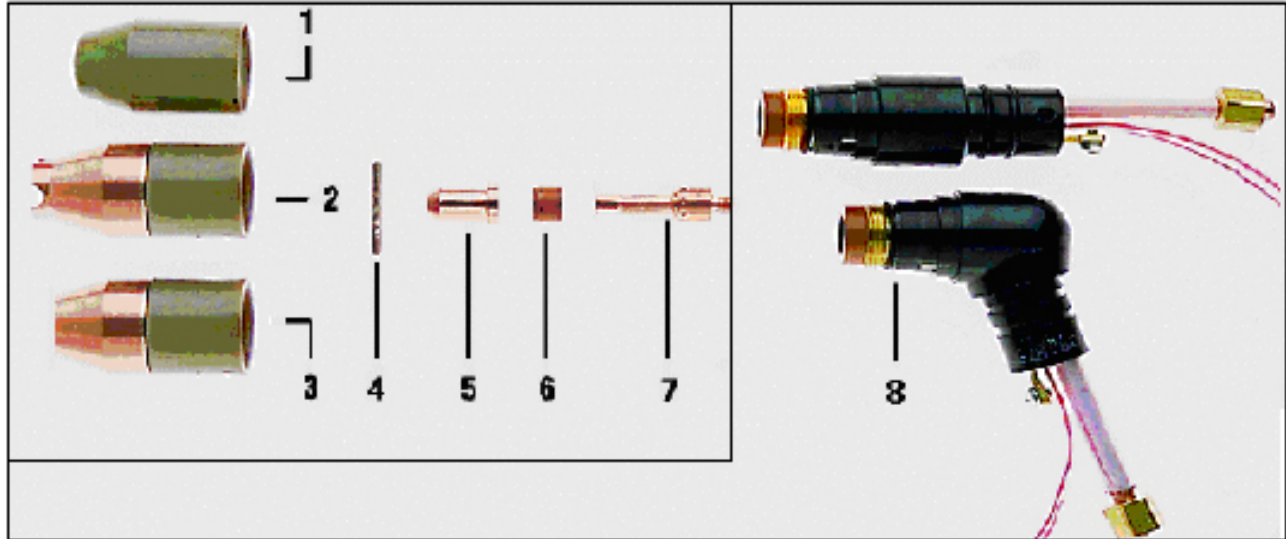
PCH/M-75

Item	Catalog Number	Description
1	8-7500	Shield Cup - Std
2	8-7507	Shield Cup - Crown
3	8-7496	Shield Cup - Maximum Life
4	9-7501	Canted Coil Spring
5	8-7503	Tip - Drag (35A)
5	8-7504	Tip - Standoff (55A)
5	8-7506	Tip - Gouging
6	8-7501	Gas Distributor - Cutting
6	8-7508	Gas Distributor - Gouging
7	8-7502	Electrode
8	8-7510	PCH-75 70° Torch Head
8	8-7511	PCH-75 90° Torch Head
8	8-7512	PCH-75 180° Torch Head

Pak Master 75, Pakmaster 75XL, 625 XR, Cutmaster 80XL

Thermal Tech Tips : Cutting Direction

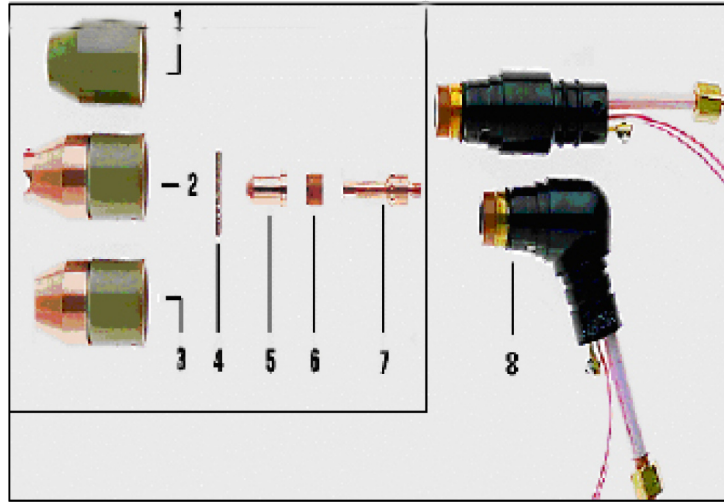




PCH/M-76

Item	Catalog Number	Description
1	8-7500	Shield Cup - Std
2	8-7507	Shield Cup - Crown
3	8-7496	Shield Cup - Maximum Life
4	9-7501	Canted Coil Spring
5	8-7503	Tip - Drag (35A)
5	8-7505	Tip - Standoff (60A)
5	8-7506	Tip - Gouging
6	8-7501	Gas Distributor - Cutting
6	8-7508	Gas Distributor - Gouging
7	8-7502	Electrode
8	8-7510	PCH-76 70° Torch Head
8	8-7511	PCH-76 90° Torch Head
8	8-7512	PCH-76 180° Torch Head

Econopak 100

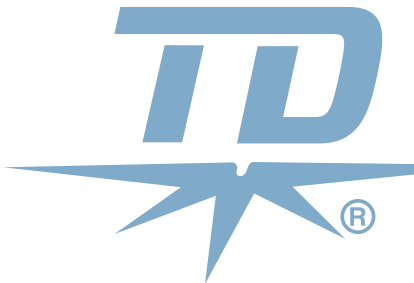
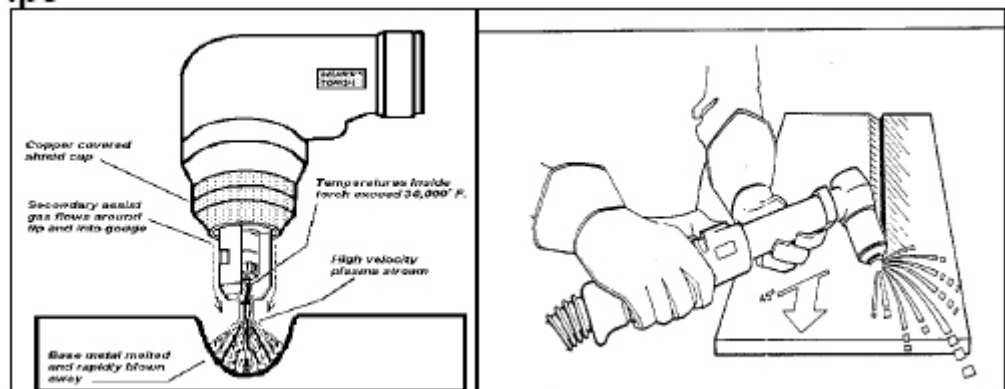


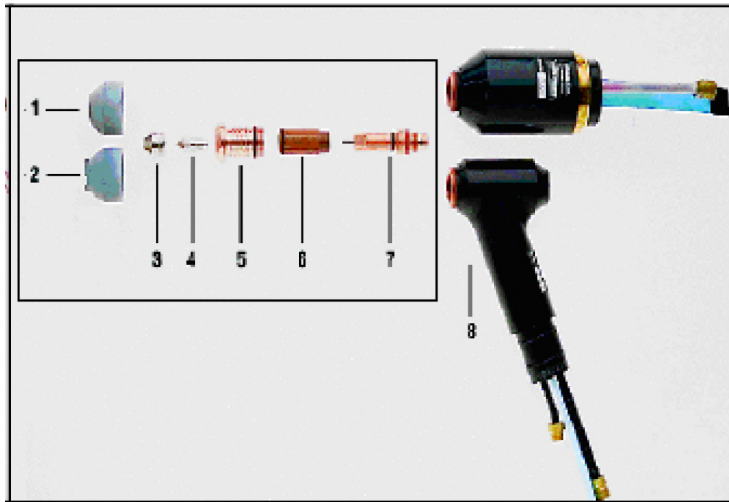
PCH/M-100XL

Item	Catalog Number	Description
1	8-7500	Shield Cup - Std
2	8-7507	Shield Cup - Crown
3	8-7496	Shield Cup - Maximum Life
4	9-7501	Canted Coil Spring
5	8-7503	Tip - Drag (35A)
5	8-7504	Tip - Standoff (55A)
5	8-7505	Tip - Standoff (70A)
5	8-7506	Tip - Gouging
6	8-7501	Gas Distributor - Cutting
6	8-7508	Gas Distributor - Gouging
7	8-7502	Electrode
8	8-7510	PCH-100XL 70° Torch Head
8	8-7511	PCH-100XL 90° Torch Head
8	8-7512	PCH-100XL 180° Torch Head

Pak Master 100XL

Thermal Tech Tips : Plasma Gouging

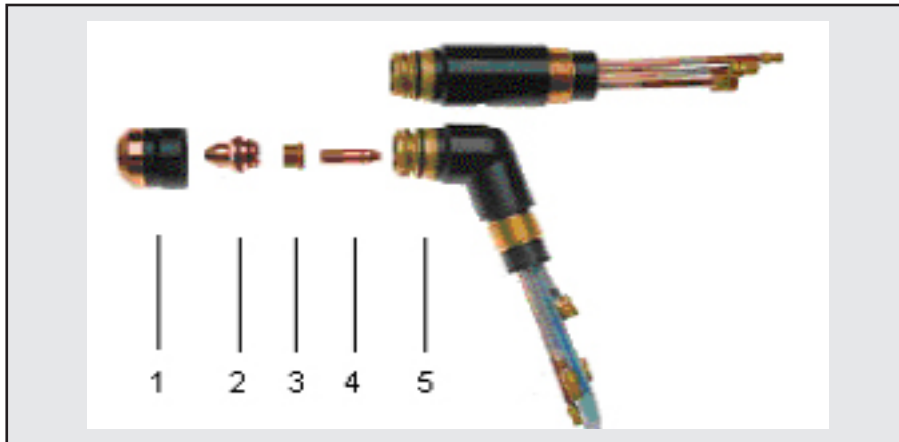




PCH/M-100

Item	Catalog Number	Description
1	8-1100	Shield Cup - Std
1	9-4345	Shield Cup - Mach
2	8-1101	Shield Cup - Crown
3	9-4343	Tip - 35A Air
3	9-4342	Tip - 70A Air
3	9-4341	Tip - 105A Air
4	9-4340	Electrode
5	8-1106	Liner
6	9-4339	Gas Distributor
7	8-1108	Electrode Holder
8	8-1113	PCH-100 70° Torch Head
8	8-1112	PCM-100 180° Torch Head

Pak 10XR

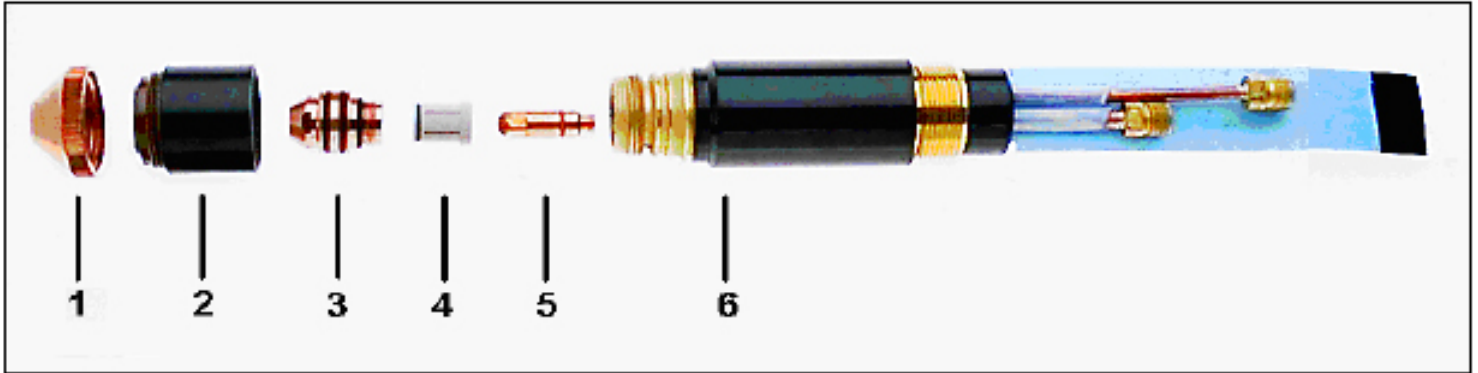


PCH/M-120

Item	Catalog Number	Description
1	20-1225	Shield Cup - Standard
1	20-1226	Shield Cup - Crown
1	20-1227	Shield Cup - Gouging
2	20-1220	Tip 35A
2	20-1221	Tip 70A
2	20-1222	Tip 120A
2	20-1412	Tip .110 - Gouging
2	20-1413	Tip .125 - Gouging
2	20-1414	Tip .156 - Gouging
2	20-1415	Tip .171 - Gouging
3	20-1215	Gas Distributor - Cutting
3	20-1409	Gas Distributor - Gouging
4	20-1210	Electrode Air - Cutting
4	20-1211	Electrode Multi-Gas - Cutting
4	20-1404	Electrode Air/N2 - Gouging
4	20-1405	Electrode Ar - H2 Gouging
N/S	20-1402	Coolant Tube Extension - Gouging
5	9-7830	PCH-120 70° Torch Head
5	9-7831	PCH-120 90° Torch Head
5	9-6410	PCH-120 180° Torch Head

Pakmaster 150XL

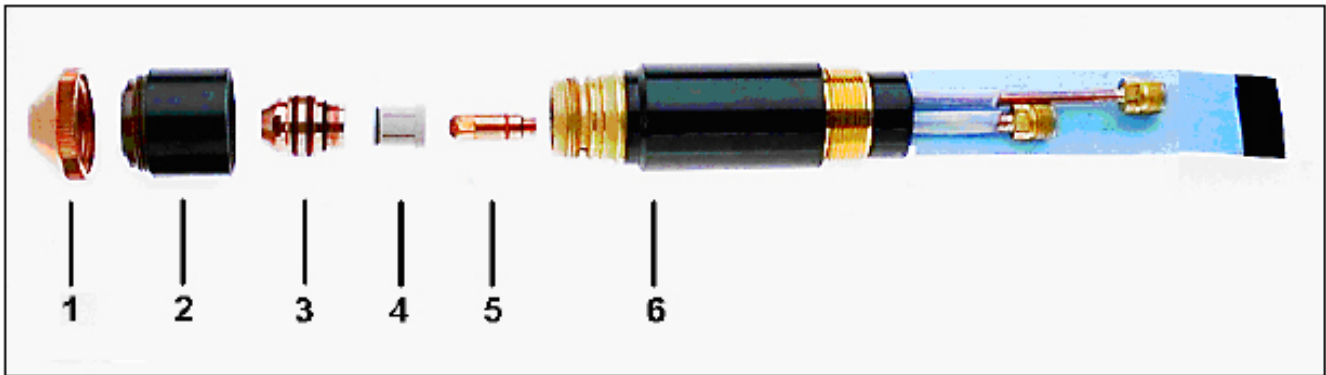




Maximizer 300

Item	Catalog Number	Description
1	20-1003	End Cap 50A
1	20-1004	End Cap 100 - 225A
1	20-1005	End Cap 300A
1	20-1007	End Cap Underwater, 100-300A
2	20-1002	Shield Cup Body
3	20-1030	Tip 50A
3	20-1031	Tip 100A
3	20-1032	Tip 150A
3	20-1033	Tip 225A
3	20-1034	Tip 300A
4	20-0008	Gas Distributor 50-225A
4	20-1009	Gas Distributor 300A
5	20-1015	Electrode O2, 100A
5	20-1016	Electrode O2, 150A
5	20-1017	Electrode O2, 225A
5	20-1018	Electrode O2, 300A
5	20-1018	Electrode Air, 50-225A
5	20-1021	Electrode Air, O2 300A
5	20-1023	Electrode N2, 50-300A
5	20-1025	Electrode, Ar-H2, 100-300A
6	9-6457	Maximizer 300 70° Torch Head
6	9-6459	Maximizer 300 90° Torch Head
6	9-6410	Maximizer 300 180° Torch Head

Merlin Pak 15XC, Merlin 3000, Merlin 6000

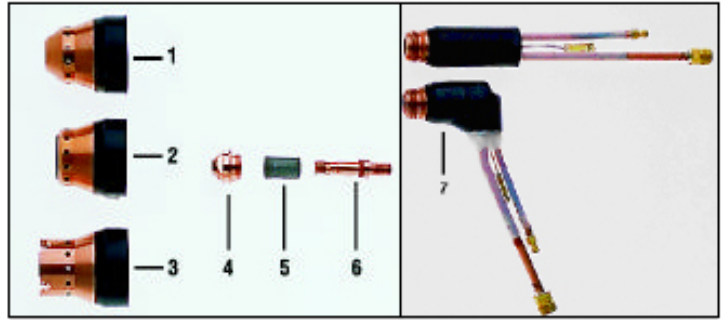


Maximizer 300

Item	Catalog Number	Description
1	20-1003	End Cap 50A
1	20-1004	End Cap 100 - 225A
1	20-1005	End Cap 300A
1	20-1007	End Cap Underwater, 100-300A
2	20-1002	Shield Cup Body
3	20-1030	Tip 50A
3	20-1031	Tip 100A
3	20-1032	Tip 150A
3	20-1033	Tip 225A
3	20-1034	Tip 300A
4	20-0008	Gas Distributor 50-225A
4	20-1009	Gas Distributor 300A
5	20-1010	Electrode O2, 100-225A
5	20-1018	Electrode Air, 50-225A
5	20-1021	Electrode Air, O2 300A
5	20-1023	Electrode N2, 50-300A
5	20-1025	Electrode, Ar-H2, 100-300A
6	9-6457	Maximizer 300 70° Torch Head
6	9-6459	Maximizer 300 90° Torch Head
6	9-6410	Maximizer 300 180° Torch Head

Merlin 6000 GST



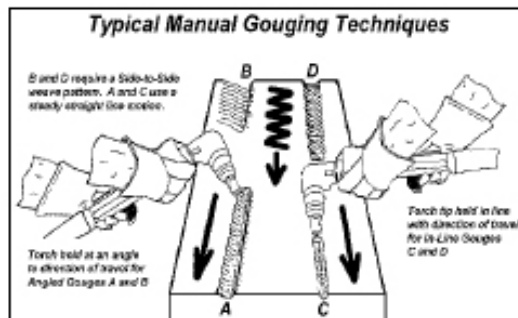


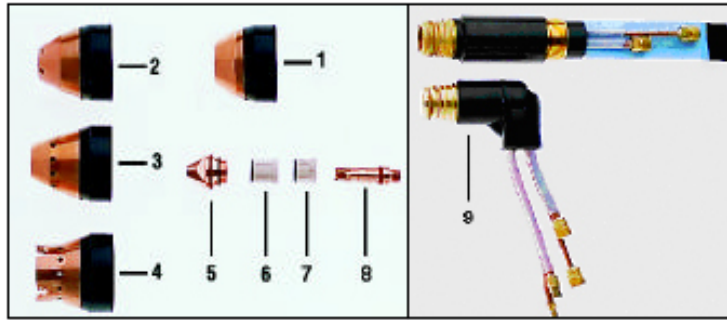
PCH/M-70

Item	Catalog Number	Description
1	9-6024	Shield Cup - Standoff - Long
1	9-6018	Shield Cup - Gouging
2	9-6016	Shield Cup Standoff - Std.
3	9-6017	Shield Cup - Crown
4	9-6008	Tip - Cutting 35A Air/N2/O2
4	9-6009	Tip - Cutting 70A Air/N2/O2
4	9-6013	Tip - Cutting 70A Ar/H2
4	9-6014	Tip - Gouging .089
4	9-6015	Tip - Gouging .104
4	9-6109	Tip - Gouging .125
5	9-6022	Gas Distributor
6	9-6019	Electrode - Cutting, Air/N2/O2
6	9-6021	Electrode - Cutting, Ar/H2
6	9-6107	Electrode - Gouging, Air/N2/O2
6	9-6108	Electrode - Gouging, Ar/H2
7	9-5810	PCH-70 70° Torch Head
7	9-5811	PCM-70 90° Torch Head
7	9-5812	PCM-70 180° Torch Head

Stak Pak

Thermal Tech Tips : Plasma Gouging



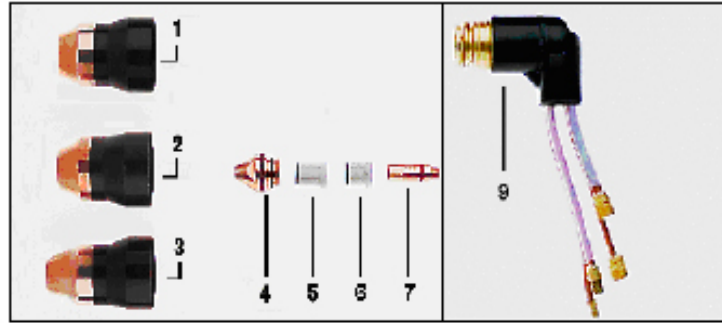


PCH/M-140

Item	Catalog Number	Description
1	9-6047	Shield Cup - Gouging
2	9-6045	Shield Cup - Standoff - Std
3	9-6054	Shield Cup - Standoff - Long
4	9-6046	Shield Cup - Crown
5	9-6025	Tip - Cutting 35A Air/N2
5	9-6026	Tip - Cutting 70A Air/N2
5	9-6027	Tip - Cutting 105A Air/N2
5	9-6028	Tip - Cutting 140A Air/N2
5	9-6034	Tip - Cutting 70A Ar/H2
5	9-6035	Tip - Cutting 105A Ar/H2
5	9-6036	Tip - Cutting 140A Ar/H2
5	9-6037	Tip - Gouging .110
5	9-6038	Tip - Gouging .125
5	9-6039	Tip - Gouging .156
5	9-6040	Tip - Gouging .171
6	9-6112	Gas Distributor - Gouging
7	9-6051	Gas Distributor - Cutting
7	9-6048	Electrode - Cutting, Air/N2/O2
8	9-6050	Electrode - Cutting Ar/H2
8	9-6110	Electrode - Gouging, Air/N2/O2
8	9-6111	Electrode - Gouging, Ar/H2
9	9-5813	PCH-140 70° Torch Head
9	9-5814	PCM-140 90° Torch Head
9	9-5815	PCM-140 180° Torch Head



Stak Pak



PCH-145

Item	Catalog Number	Description
1	9-6077	Shield Cup - Gouging
2	9-6075	Shield Cup - Standoff - Std
3	9-6083	Shield Cup - Standoff - Long
4	9-6055	Tip Cutting 35A Air/N ₂
4	9-6056	Tip Cutting 70A Air/N ₂
4	9-6057	Tip Cutting 105A Air/N ₂
4	9-6058	Tip Cutting 140A Air/N ₂
4	9-6064	Tip Cutting 70A Ar/H ₂
4	9-6065	Tip Cutting 105A Ar/H ₂
4	9-6066	Tip Cutting 140A Ar/H ₂
4	9-6067	Tip Gouging .110
4	9-6068	Tip Gouging .125
4	9-6069	Tip Gouging .156
4	9-6070	Tip Gouging .171
5	9-6082	Gas Distributor - Gouging
6	9-6081	Gas Distributor - Cutting
7	9-6078	Electrode - Cutting, Air
7	9-6129	Electrode - Cutting N ₂
7	9-6080	Electrode - Cutting Ar/H ₂
7	9-6130	Electrode - Gouging, Air/N ₂ /O ₂
7	9-6131	Electrode - Gouging, Ar/H ₂
8	9-5816	PCH-145 70° Torch Head
8	9-5817	PCM-145 90° Torch Head
8	9-6410	PCM-145 180° Torch Head

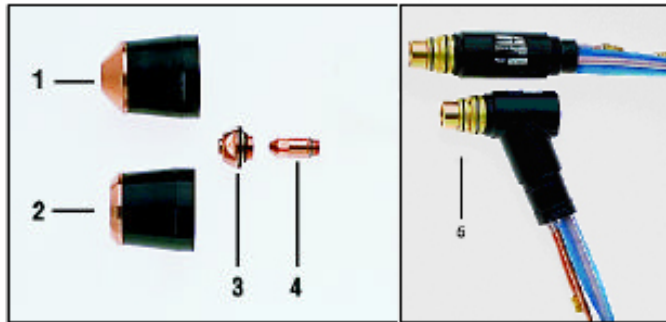
Stak Pak

Thermal Tech Tips



Normal Cut Surface

Cut Surface with Dross

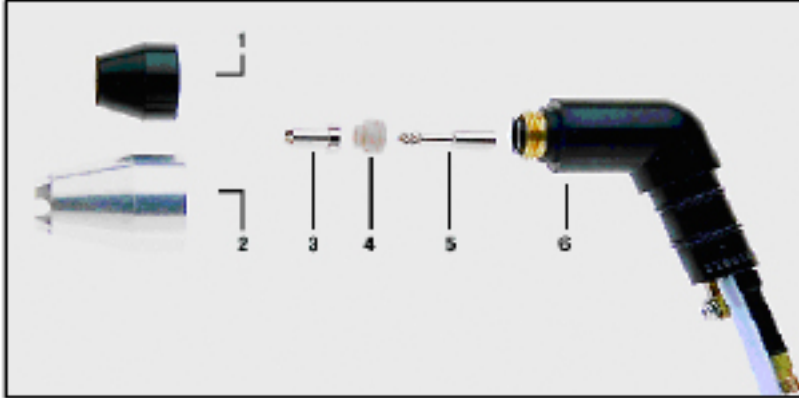


PCH/M-150

Item	Catalog Number	Description
1	9-5750	Shield Cup - Std - Ceramic Front
1	9-5790	Shield Cup - Std - Metal Front
2	9-5801	Shield Cup - Copper (Tip Exp.)
2	9-5758	Shield Cup - Ceramic (Tip Exp.)
N/S	9-5774	Shield Cup - Gouging
3	9-5748	Tip 50A Air
3	9-5747	Tip 100A Air
3	9-5746	Tip 150A Air
3	9-5753	Tip 50A O ₂
3	9-5752	Tip 100A O ₂
3	9-5751	Tip 150A O ₂
3	9-5765	Tip 50A N ₂
3	9-5766	Tip 100A N ₂
3	9-5767	Tip 150A N ₂
3	9-5775	Tip 150A Ar/H ₂
3	9-5756	Tip, Gouging 85A .078
3	9-5755	Tip, Gouging 150A .120
4	9-5749	Electrode - Air
4	9-5760	Electrode - O ₂
4	9-5754	Electrode - N ₂ , Ar-H ₂
5	9-5743	PCH-150 70° Torch Head
5	9-5744	PCH-150 90° Torch Head
5	9-5745	PCM-150 180° Torch Head



Pak 15XC

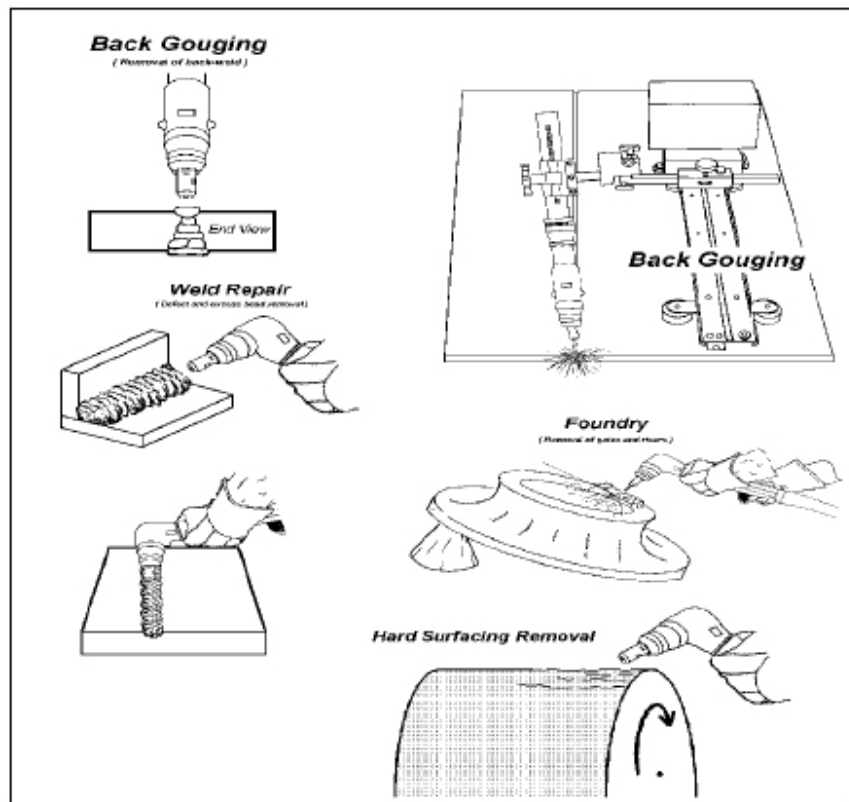


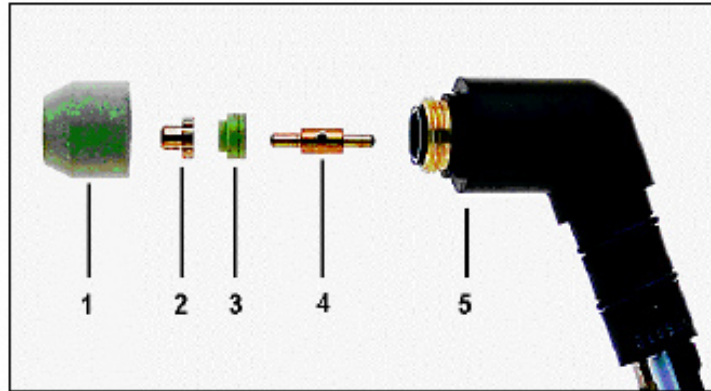
PCH-20

Item	Catalog Number	Description
1	8-3214	Shield Cup Standard
2	8-3228	Skinning Cup
3	8-3218	Tip
4	8-3233	Gas Distributor
5	9-6006	Electrode
6	8-3220	PCH-20 70° Torch Head

Dynapak 110, Pak 2XT

Thermal Tech Tips : Plasma Gouging Applications



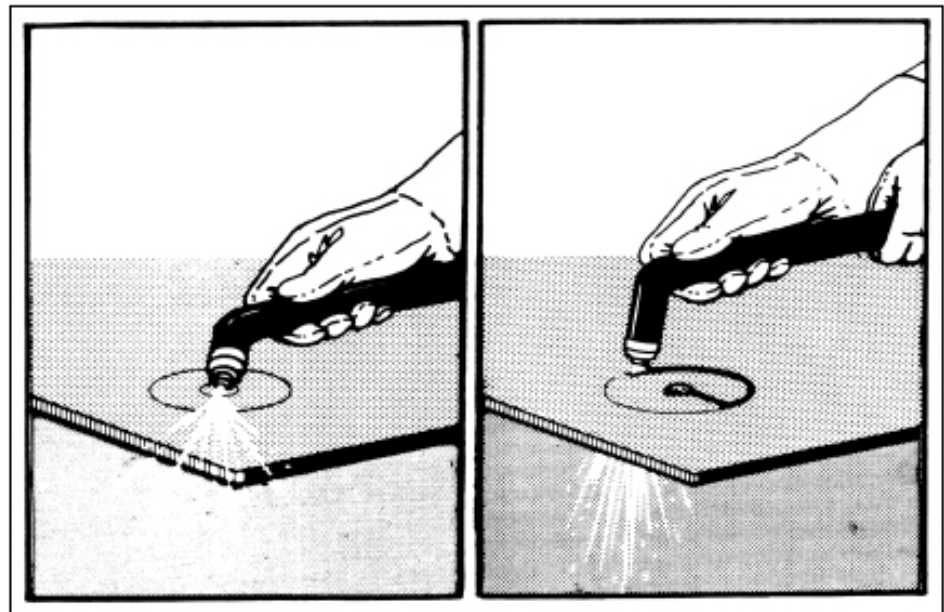


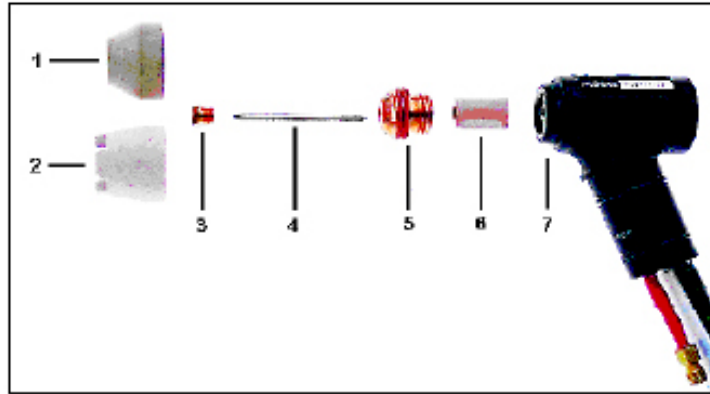
PCH-30

Item	Catalog Number	Description
1	9-5500	Shield Cup Standard
2	9-5501	Tip
3	8-3233	Gas Distributor
4	9-5503	Electrode
5	9-5512	PCH-30 70° Torch Head
5	9-5509	PCH-30 180° Torch Head

Pak-3

Thermal Tech Tips : Manual Piercing Technique

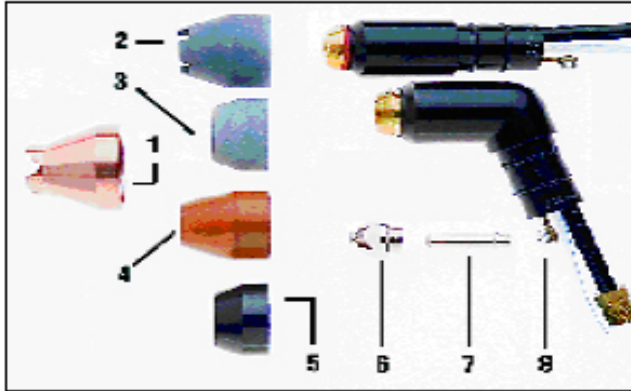




PCH-50

Item	Catalog Number	Description
1	8-5505	Shield Cup Standard
2	8-5519	Tip
3	8-5507	Gas Distributor
4	8-5508	Electrode
5	8-5520	Liner (Includes O-Rings)
6	8-5510	Sleeve
N/S	8-5506	Collet
7	8-5501	PCH-50 70° Torch Head

Pak-5

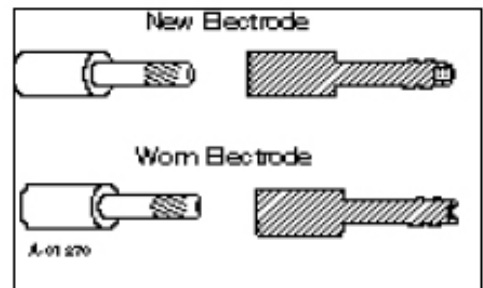
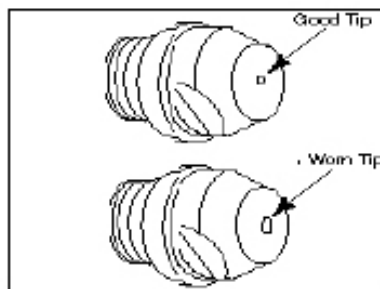


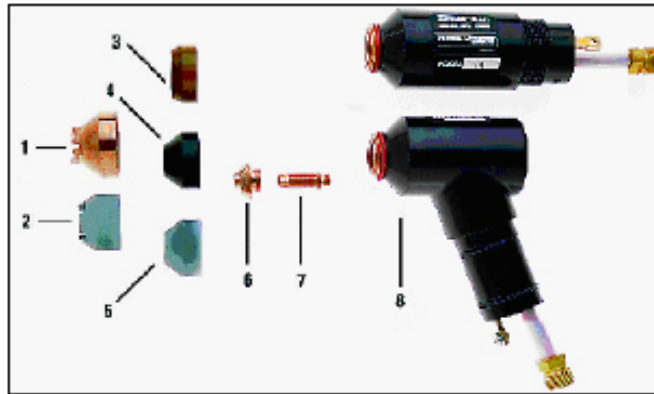
PCH/M-51

Item	Catalog Number	Description
1	9-5779	Shield Cup - Crown (fits over 8-2159)
2	8-5526	Shield Cup - Crown Ceramic
3	9-5630	Shield Cup Ceramic
4	8-2151	Shield Cup - Vespel - Long
4	8-2152	Shield Cup - Vespel - Std
5	8-2159	Shield Cup - Phenolic - Std
6	9-5724	Tip, Gouging .078
6	9-5718	Tip 10-40A Air
6	9-5631	Tip 10-60A Air
6	8-3321	Tip 65A Air
7	9-5633	Electrode
7	9-5720	Electrode
8	9-5635	PCH-51 70° Torch Head
8	9-4344	PCM-51 90° Torch Head
8	9-5634	PCM-51 180° Torch Head

**4Xi, 6Xi, Pak-3XR, Pak-5XR, Pak-6XR,
Pak-7XR, Pak-5XT, Pak-625XR, Pak-750XR**

Thermal Tech Tips: Electrode/Tip Wear

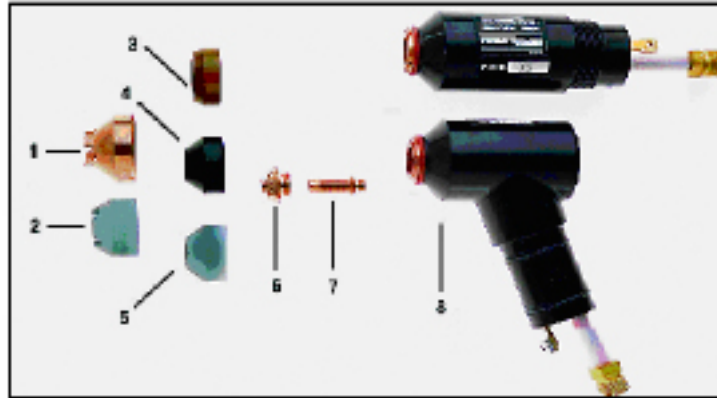




PCH/M-52

Item	Catalog Number	Description
1	9-5780	Shield Cup - Crown (fits over 9-5781)
2	9-5694	Shield Cup - Crown Ceramic
3	9-5712	Shield Cup - Drag - Vespel
3	8-5128	Shield Cup - Gouging Ceramic
4	9-5781	Shield Cup - Phenolic - Std
5	9-5617	Shield Cup - Std Ceramic
6	9-5702	Tip 35A Air
6	9-5618	Tip 45-55A Air
6	9-5707	Tip 60-70A Air
6	9-5782	Tip 80A Air
6	9-5708	Tip 105A Air
6	8-5129	Tip Gouging
6	9-5709	Tip, Gouging 70A .078
6	9-5710	Tip, Gouging 105A .093
6	9-5713	Tip, Gouging 105A .113
7	8-3331	Electrode - Air
7	9-5619	Electrode - Air (Plated)
7	9-5711	Electrode - Multi-Gas
8	9-5642	PCH-52 70° Torch Head
8	9-5854	PCM-52 90° Torch Head
8	9-5643	PCM-52 180° Torch Head

**Pak-5XR*, Pak-6XR*, Pak-7XR, Pak-8XR,
 Pak-10XR, Pak-625XR*, Pak-750XR*,
 Pak-1000XR, Pak-1250XR * = Dual Gas**

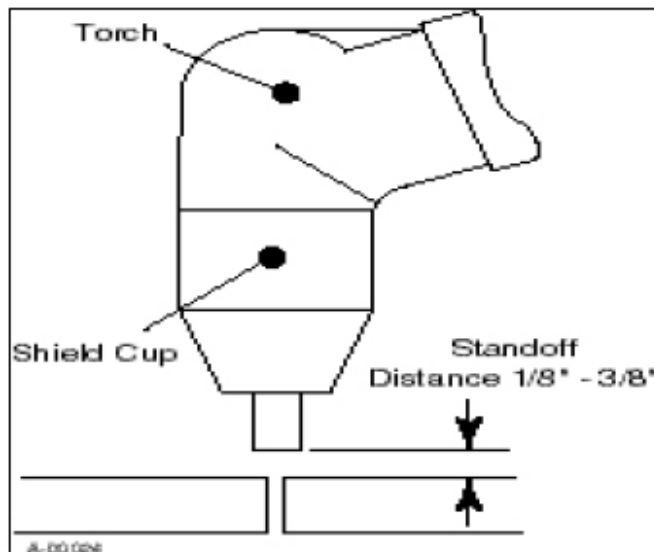


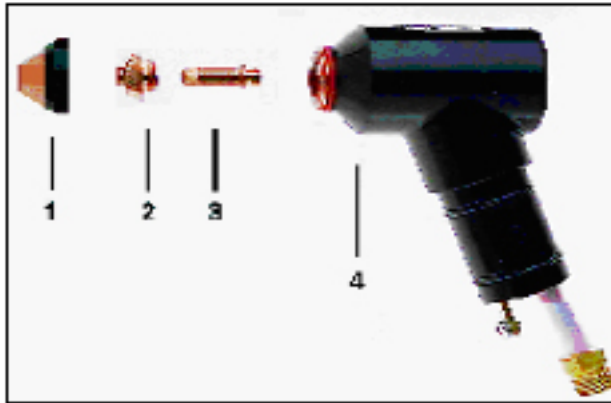
PCH/M-53

Item	Catalog Number	Description
1	9-5780	Shield Cup - Crown (fits over 9-5781)
2	9-5694	Shield Cup - Crown Ceramic
3	9-5712	Shield Cup - Drag - Vespel
4	9-5781	Shield Cup - Phenolic - Std
5	9-5617	Shield Cup - Std Ceramic
6	9-5897	Tip 70A Air
6	9-5709	Tip, Gouging 70 A .078
7	9-5898	Electrode - Air
8	9-6170	PCH-53 70° Torch Head
8	9-6190	PCH-53 90° Torch Head
8	9-6180	PCH-53 180° Torch Head

Packmaster 100

Thermal Tech Tips : Manual Cutting

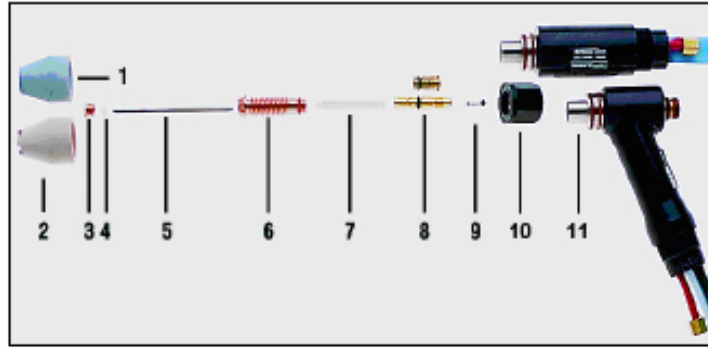




PCH/M-53P

Item	Catalog Number	Description
1	9-6355	Shield Cup - Std
2	9-5897	Tip 70A Air
3	9-5898	Electrode - Air
4	9-6370	PCH-53P 70° Torch Head
4	9-6390	PCH-53P 90° Torch Head

Packmaster 100

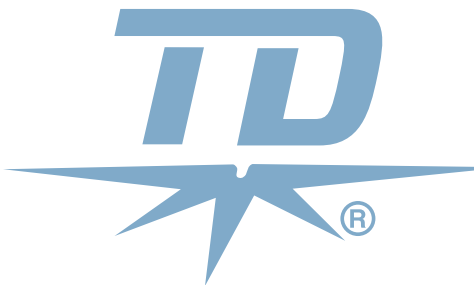
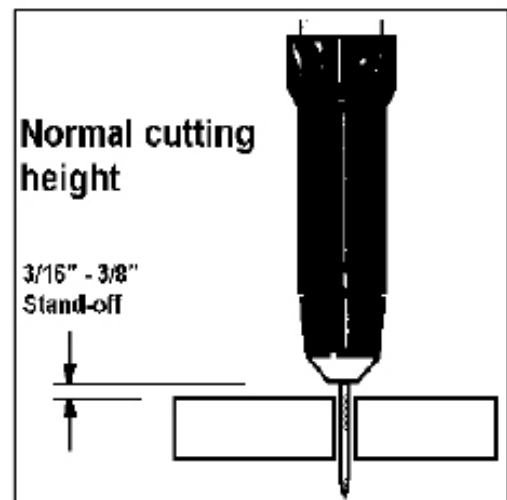
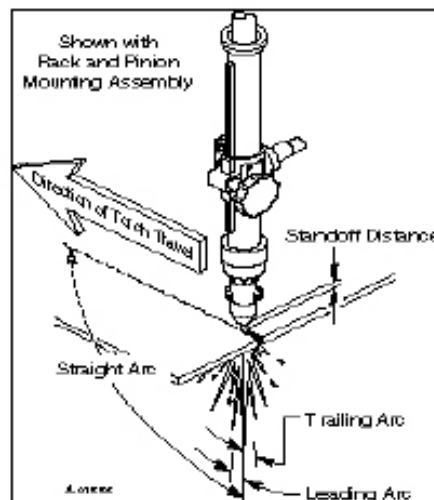


PCH/M-4B(T)

Item	Catalog Number	Description
1	8-4088	Shield Cup - Std - Cermaic
2	8-4213	Shield Cup - Crown Ceramic
3	8-4153	Tip Lo-Amp .059
3	8-4189	Tip Lo-Amp - Std .030 (4BT/5)
3	8-4211	Tip - Std .046 (4BT/5)
4	9-2421	Gas Distributor
5	8-4073	Electrode
6	8-4154	Liner
7	8-4182	Sleeve
8	8-4197	Collet (4BT-only)
8	8-4156	Collet-Std
9	8-4050	Spring
10	8-4158	Back Cap
11	8-4160	PCM-4B 70° Torch Head
11	8-4161	PCM-4B 90° Torch Head
11	8-4196	PCM-4BT 180° Torch Head

Pak-5 (Mech), Pak-10, Pak-10XR (Mech)

Thermal Tech Tips : Mechanized Cutting

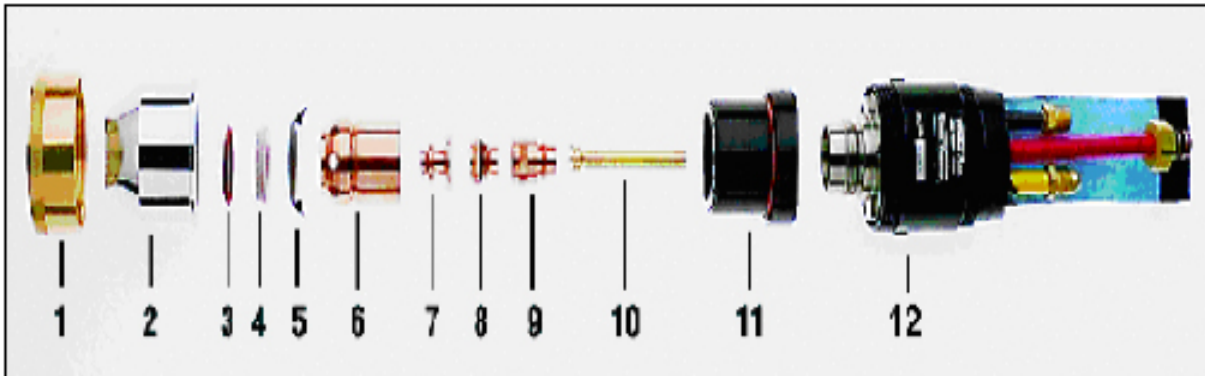




PCH/M-6B

Item	Catalog Number	Description
1	8-6515	End Cap
2	8-6514	End Piece
3	8-6581	Outer Insulator
4	8-6580	Tip 100A
4	8-6575	Tip 200A
4	8-6582	Tip 300A
4	8-6572	Tip 400A
5	8-6586	Electrode - Lo-Amp
5	8-6578	Electrode - Gen Purpose
6	8-6571	Liner
7	8-6569	Gas Distributor
8	8-6615	Electrode Holder
NS	8-6512	Gasket
9	8-6583	PCM-4B 70° Torch Head
9	8-6584	PCM-4B 90° Torch Head
9	8-6577	PCM-4BT 180° Torch Head

Pak-44, Pak-45



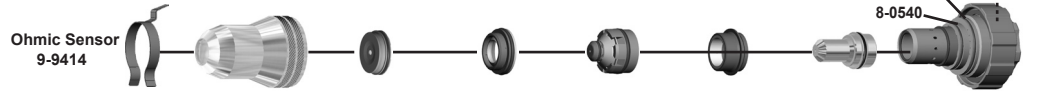
M-200

Item	Catalog Number	Description
1	8-6059	Collar
2	8-6056	End Cap
2	8-6077	End Cap - Underwater
2	8-6057	End Cap - Heavy Duty
3	8-0563	O-Ring
4	8-6006	End Piece - Water Shield
4	8-0607	End Piece - Gas Shield
4	8-6029	End Piece - Air/H2 Secondary
4	8-0611	End Piece - Piercing
5	9-2451	Coolant Baffle
6	9-2210	Inner Tip Retainer
7	8-6041	Tip 150A
7	8-6042	Tip 250A
7	8-6043	Tip 350A
7	8-6044	Tip 500A
7	8-6045	Tip 750A
7	8-6046	Tip 1000A
7	8-6068	Tip 1000A Heavy Duty
7	8-6047	Tip 500A - Gouging
8	9-1641	Electrode - 500A
8	9-2841	Electrode - Rev Swirl
8	9-1662	Electrode - 1000A
9	9-1642	Electrode Seat
10	9-1640	Coolant Tube
11	8-6060	Outer Insulator
12	8-6054	M-200 Torch Head

CC-65, CC-66, TA-500, TAC-500



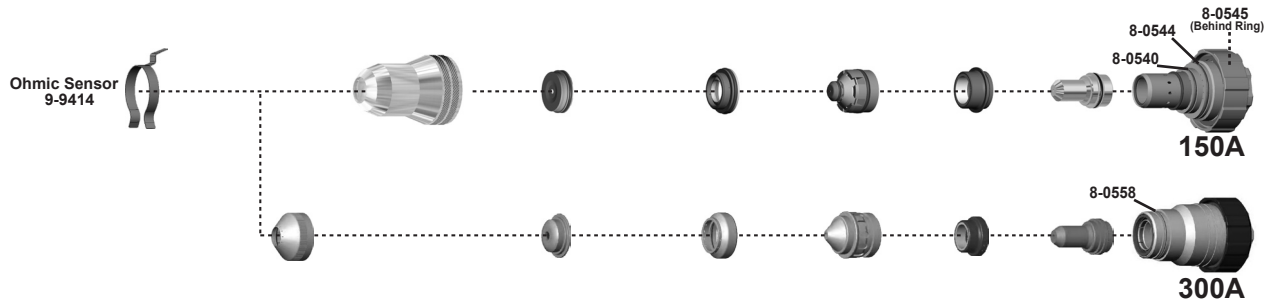
XT-300



	Amps	Plasma/Shield Gas	Shield Cup	Shield Cap	Shield Gas Distributor	Tip	Plasma Gas Distributor	Electrode	Cartridge
Mild Steel	30A	O ₂ Plasma / O ₂ Shield	21-1016	21-1024	21-1282	21-1050	21-1040	21-1068	21-1020
	50A	O ₂ Plasma / Air Shield	21-1016	21-1025	21-1272	21-1051	21-1041	21-1069	21-1020
	70A _{XTL}	O ₂ Plasma / Air Shield	21-1016	21-1026	21-1272	21-1052	21-1041	21-1070	21-1020
		O ₂ Plasma / Air Shield	21-1016	21-1026	21-1272	21-1152	21-1041	21-1170	21-1020
	85A	Air Plasma / Air Shield	21-1016	21-1027	21-1272	21-1153	21-1041	21-1071	21-1020
	100A _{XTL}	O ₂ Plasma / Air Shield	21-1016	21-1027	21-1272	21-1053	21-1041	21-1071	21-1020
O ₂ Plasma / Air Shield		21-1016	21-1027	21-1272	21-1153	21-1041	21-1171	21-1020	

XTL = XTremeLife Consumables used with VTA

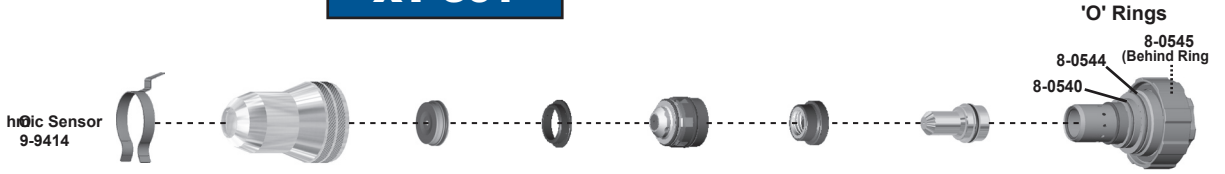
Stainless Steel/ Aluminum	30A	Air Plasma / Air Shield	21-1016	21-1033	21-1274	21-1059	21-1045	21-1077	21-1020
		N ₂ Plasma / H ₂ O Shield	21-1016	21-1033	21-1274	21-1059	21-1045	21-1077	21-1020
	50A	Air Plasma / Air Shield	21-1016	21-1034	21-1274	21-1060	21-1041	21-1078	21-1020
		N ₂ Plasma / H ₂ O Shield	21-1016	21-1034	21-1274	21-1060	21-1041	21-1078	21-1020
	70A	Air Plasma / Air Shield	21-1016	21-1035	21-1274	21-1061	21-1041	21-1079	21-1020
		N ₂ Plasma / H ₂ O Shield	21-1016	21-1047	21-1274	21-1064	21-1041	21-1084	21-1020
	100A	H35 Plasma / N ₂ Shield	21-1016	21-1036	21-1274	21-1062	21-1041	21-1080	21-1020
		N ₂ Plasma / H ₂ O Shield	21-1016	21-1036	21-1274	21-1053	21-1041	21-1089	21-1020



	Amps	Plasma/Shield Gas	Shield Retainer	Shield Cup	Shield Cap	Shield Gas Distributor	Tip	Plasma Gas Distributor	Electrode	Cartridge
Mild Steel	150A	O ₂ Plasma / O ₂ Shield	—	21-1016	21-1028 (≤ 3/4" (20mm)) 21-1275 (≥ 3/4" (20mm))	21-1273	21-1054	21-1042	21-1072	21-1020
	200A	O ₂ Plasma / Air Shield	21-1014	21-1017	21-1030	21-1285	21-1055	21-1042	21-1093	21-1022
	250A	O ₂ Plasma / Air Shield	21-1014	21-1017	21-1030	21-1285	21-1056	21-1042	21-1093	21-1022
	300A	O ₂ Plasma / Air Shield	21-1021	21-1017	21-1029	21-1282 (≤ 5/8" (15mm)) 21-1283 (≤ 5/8" (15mm))	21-1057	21-1042	21-1090	21-1022

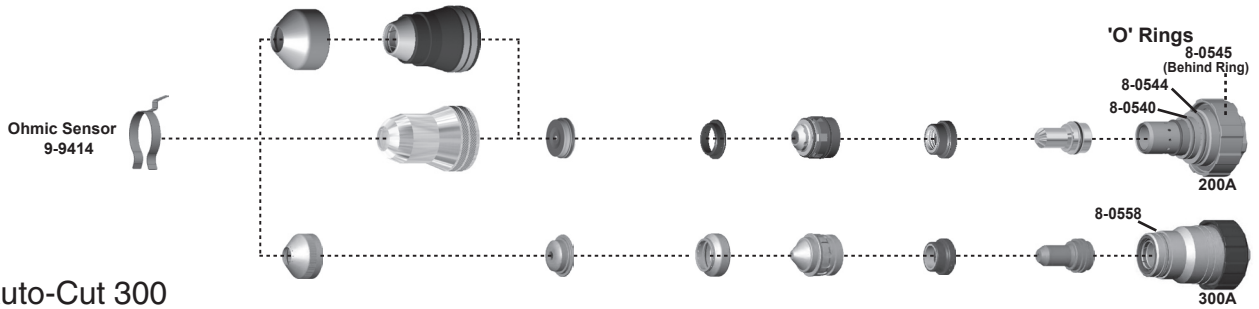
Stainless Steel/ Aluminum	150A	H35 Plasma / N ₂ Shield		21-1016	21-1037	21-1278	21-1063	21-1041	21-1081	21-1020
		N ₂ Plasma / H ₂ O Shield		21-1016	21-1048	21-1278	21-1092	21-1041	21-1081	21-1020
	200A	H35 Plasma / N ₂ Shield	21-1015	21-1017	21-1073 (SS/AL ≤ 1" (25mm))	21-1284	21-1095	21-1043	21-1096	21-1022
					21-1073 (SS > 1" (25mm))					
	300A	H35 Plasma / N ₂ Shield	21-1015	21-1017	21-1094 (AL > 1" (25mm))	21-1284	21-1067	21-1043	21-1089	21-1022
					21-1028 (≤ 3/4" (20mm))					
300A	N ₂ Plasma / H ₂ O Shield	21-1015	21-1017	21-1275 (≥ 3/4" (20mm))	21-1284	21-1066	21-1043	21-1089	21-1022	
				21-1046						

XT-301



Auto-Cut 100

	Amps	Plasma/Shield Gas	Shield Cup	Shield Cap	Shield Gas Distributor	Tip	Plasma Gas Distributor	Electrode	Cartridge
Mild Steel	55A	Air Plasma / Air Shield	35-1016	35-1025	35-1272	35-1051	35-1041	35-1069	35-1020
		O ₂ Plasma / Air Shield	35-1016	35-1025	35-1272	35-1051	35-1041	35-1069	35-1020
	100A	Air Plasma / Air Shield	35-1016	35-1027	35-1272	35-1053	35-1041	35-1071	35-1020
		O ₂ Plasma / Air Shield	35-1016	35-1027	35-1272	35-1053	35-1041	35-1071	35-1020
Stainless Steel/ Aluminum	55A	Air Plasma / Air Shield	35-1016	35-1034	35-1272	35-1060	35-1041	35-1078	35-1020
		Air Plasma / Air Shield	35-1016	35-1027	35-1272	35-1060	35-1041	35-1071	35-1020
	100A	N ₂ Plasma / H ₂ O Shield	35-1016	35-1034	35-1272	35-1060	35-1041	35-1089	35-1020
		H35 Plasma / N ₂ Shield	35-1016	35-1034	35-1272	35-1060	35-1041	35-1080	35-1020

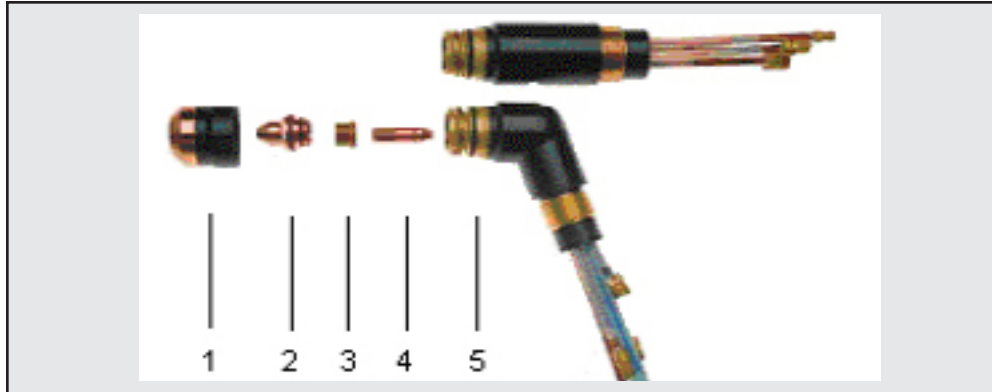


Auto-Cut 200 and Auto-Cut 300

	Amps	Plasma/Shield Gas	Shield Retainer	Shield Cup	Shield Cap	Shield Gas Distributor	Tip	Plasma Gas Distributor	Electrode	Cartridge
Mild Steel	200A	O ₂ Plasma / Air Shield	35-1019	35-1018	35-1029	35-1281	35-1056	35-1041	35-1086	35-1020
		Air Plasma / Air Shield	35-1019	35-1018	35-1028	35-1280	35-1055	35-1047	35-1085	35-1020
	300A	Air Plasma / Air Shield	35-1021	35-1017	35-1037	35-1283	35-1050	35-1044	35-1088	35-1022
Stainless Steel/ Aluminum	200A	Air Plasma / Air Shield	35-1019	35-1018	35-1030	35-1282	35-1055	35-1041	35-1085	35-1020
		H35 Plasma / N ₂ Shield	—	35-1016	35-1031 (≤ 1" (25mm)) 35-1275 (> 1" (25mm))	35-1273	35-1058	35-1043	35-1087	35-1020

Auto-Cut 200 O₂ and Auto-Cut 300 O₂

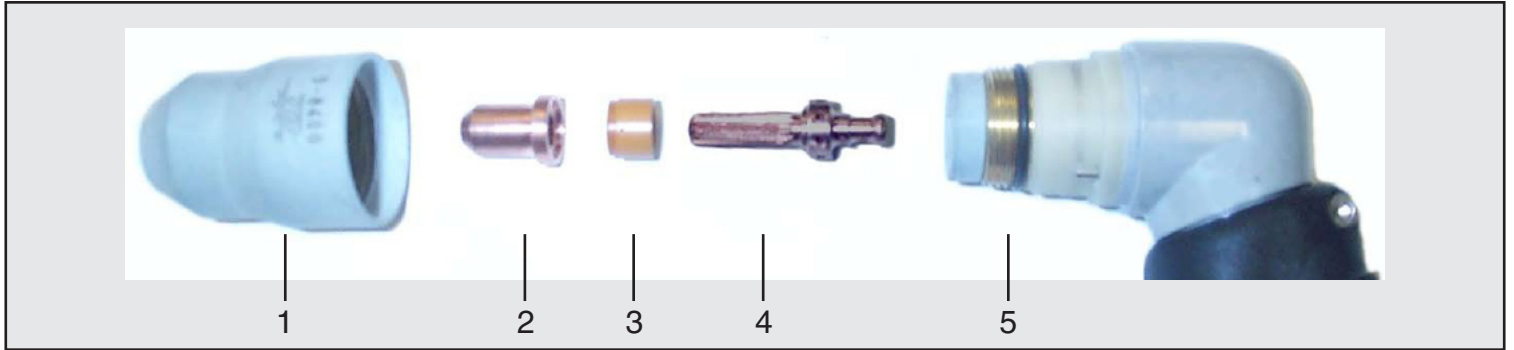
Mild Steel	200A	O ₂ Plasma / Air Shield	35-1019	35-1018	35-1029	35-1281	35-1056	35-1046	35-1086	35-1020
		Air Plasma / Air Shield	35-1019	35-1018	35-1028	35-1280	35-1055	35-1041	35-1085	35-1020
	300A	O ₂ Plasma / Air Shield	35-1021	35-1017	35-1033	35-1274 (≤ 5/8" (15mm)) 35-1283 (≥ 5/8" (15mm))	35-1059	35-1047	35-1090	35-1022
Stainless Steel/ Aluminum	200A	Air Plasma / Air Shield	35-1019	35-1018	35-1029	35-1281	35-1057	35-1046	35-1085	35-1020
		H35 Plasma / N ₂ Shield	—	35-1016	35-1031 (≤ 1" (25mm)) 35-1275 (> 1" (25mm))	35-1273	35-1058	35-1043	35-1087	35-1020
	300A	N ₂ Plasma / H ₂ O Shield	35-1015	35-1017	35-1038	35-1284	35-1063	35-1048	35-1089	35-1022
		H35 Plasma / N ₂ Shield	35-1015	35-1017	35-1035 (≤ 1" (25mm)) 35-1036 (≥ 1" (25mm))	35-1284	35-1061	35-1043	35-1091	35-1022



PCH/M-200

Item	Catalog Number	Description
1	32-1325	Shield Cup, Standard
1	32-1326	Crown Shield Cup (Manual Cutting)
1	32-1527	Shield Cup Gouging
2	32-1323	Tip 200A
2	32-1330	Tip 150A
2	32-1321	Tip 70A
2	32-1322	Tip 55A
2	32-1320	Tip 35A
2	32-1512	Tip (0.110) Gouging
2	32-1513	Tip (0.125) Gouging
2	32-1514	Tip (0.156) Gouging
2	32-1515	Tip (0.171) Gouging
3	32-1315	Gas Distributor, Cutting
3	32-1509	Gas Distributor, Gouging
4	32-1310	Electrode, Air Cutting
4	32-1311	Electrode, Multi-Gas Cutting
4	32-1504	Electrode, Air, Gouging
4	32-1505	Electrode, ArH ₂ , Gouging
N/S	32-1502	Coolant Tube Extension, Gouging
5	9-7836	PCH-200 Torch Head, 70°
5	9-7837	PCH-200 Torch Head, 90°
5	9-7838	PCH-200 Torch Head, 180°

PAK-200

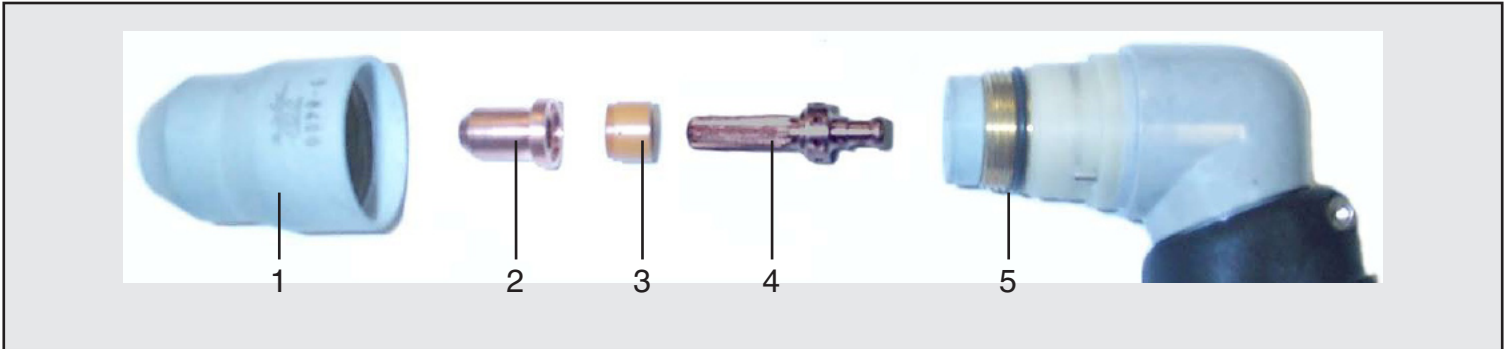


PCH/M-42

Item	Catalog Number	Description
1	9-6003	Shield Cup - Std
2	9-6501	Tip - Drag
2	9-6500	Tip - Standoff
2	9-6504	Tip - 20A
3	9-6507	Gas Distributor
4	9-6542	Electrode
5	9-8442	PCH-42 70° Torch Head
5	9-8443	PCH-42 90° Torch Head
5	9-8445	PCH-42 180° Torch Head

Drag-Gun Plus, RPT

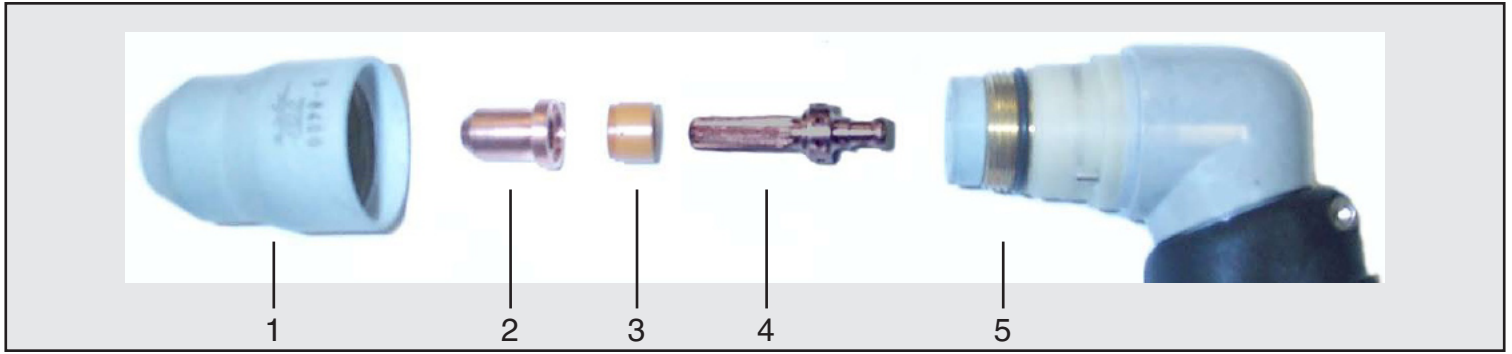




PCH/M-62

Item	Catalog Number	Description
1	9-8400	Shield Cup, 40A
1	8-7500	Shield Cup, Standard
1	8-7525	Shield Cup Hi-Vis
2	9-8411	Tip, 40A Drag
2	9-8412	Tip, 40A Standoff
2	8-7514	Tip, 50-60A
2	8-7504	Tip, 55A
2	9-7726	Tip, 60A
3	9-8401	Gas Distributor, 40A
3	8-7501	Gas Distributor, 40A
4	9-8402	Electrode, Gen Purpose
4	9-8407	Electrode, MaxLife
5	9-8410	PCH Torch Head, 70°
5	9-8409	PCH Torch Head, 90°
5	9-8408	PCM Torch Head, 180°
N/S	9-8422	Standoff Cutting Guide, 40-60A (Adjust)

RPT, Pakmaster-50XLP, Cutmaster 50

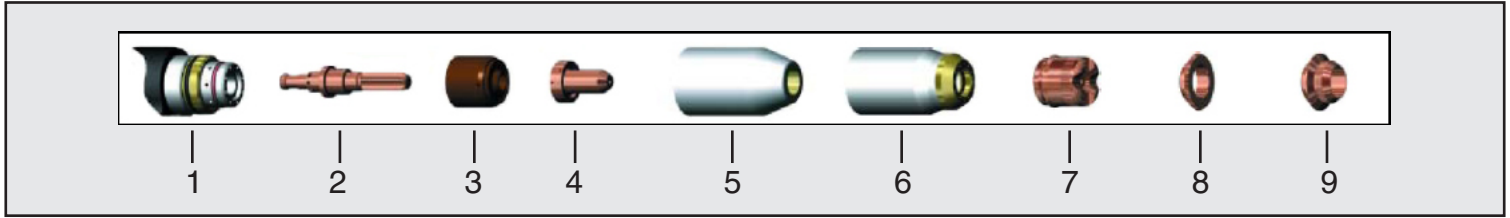


PCH/M-102

Item	Catalog Number	Description
1	8-7500	Shield Cup, Standard
1	8-7525	Shield Cup Hi-Vis
2	8-7503	Tip, 40A Drag
2	8-7514	Tip, 50-60A
2	8-7504	Tip, 55A
2	9-7726	Tip, 60A
2	9-7728	Tip, 80A
2	8-7506	Tip, Gouging
3	8-7501	Gas Distributor, Cutting
3	8-7508	Gas Distributor, Gouging
4	9-8402	Electrode, Gen Purpose
4	9-8407	Electrode, MaxLife
5	9-8410	PCH Torch Head, 70°
5	9-8409	PCH Torch Head, 90°
5	9-8408	PCM Torch Head, 180°
N/S	9-8422	Standoff Cutting Guide, 40-60A (Adjust)

RPT, Pakmaster-75XLP, Pakmaster-100XLP

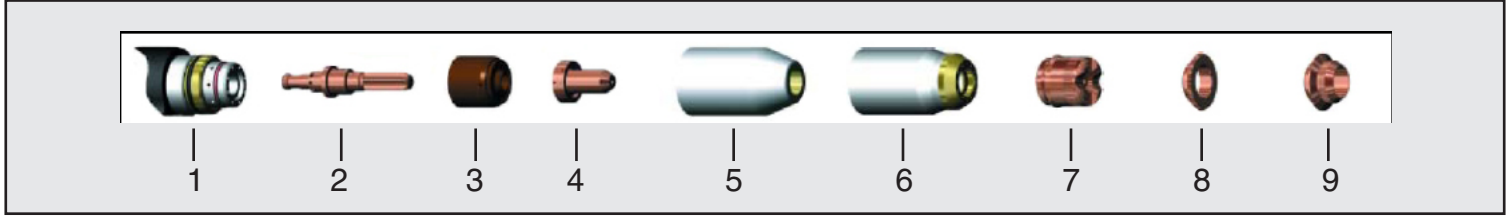




SL60 1Torch

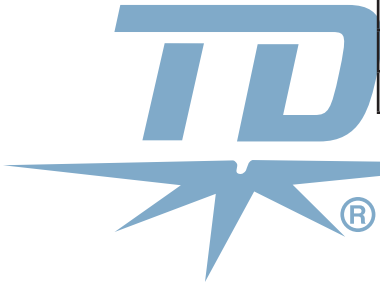
Item	Catalog Number	Description
1	9-8219	SL60 Torch Head, 75°
2	9-8215	Electrode, MaxLife
3	9-8213	Start Cartridge
4	9-8205	Tip, 20A Drag
4	9-8206	Tip, 30A Drag
4	9-8207	Tip, 40A Drag
4	9-8208	Tip, 40A Standoff
4	9-8209	Tip, 50/55A Standoff
4	9-8210	Tip, 60A Standoff
4	9-8252	Tip, 60A Drag
4	8-8225	Tip, A Gouging
4	9-8226	Tip, B Gouging
4	9-8227	Tip, C Gouging
4	9-8228	Tip, D Gouging
5	9-8218	Shield Cup, Standard
6	9-8237	Shield Cup, MaxLife
7	9-8235	50/60A Drag Shield
8	9-8243	Deflector
9	9-8241	Shield, Gouging
N/S	9-8251	Standoff Cutting Guide, 40-60A (Preset)
N/S	9-8422	Standoff Cutting Guide, 40-60A (Adjust)

RPT 1Torch, Cutmaster 38/39/51/52/82

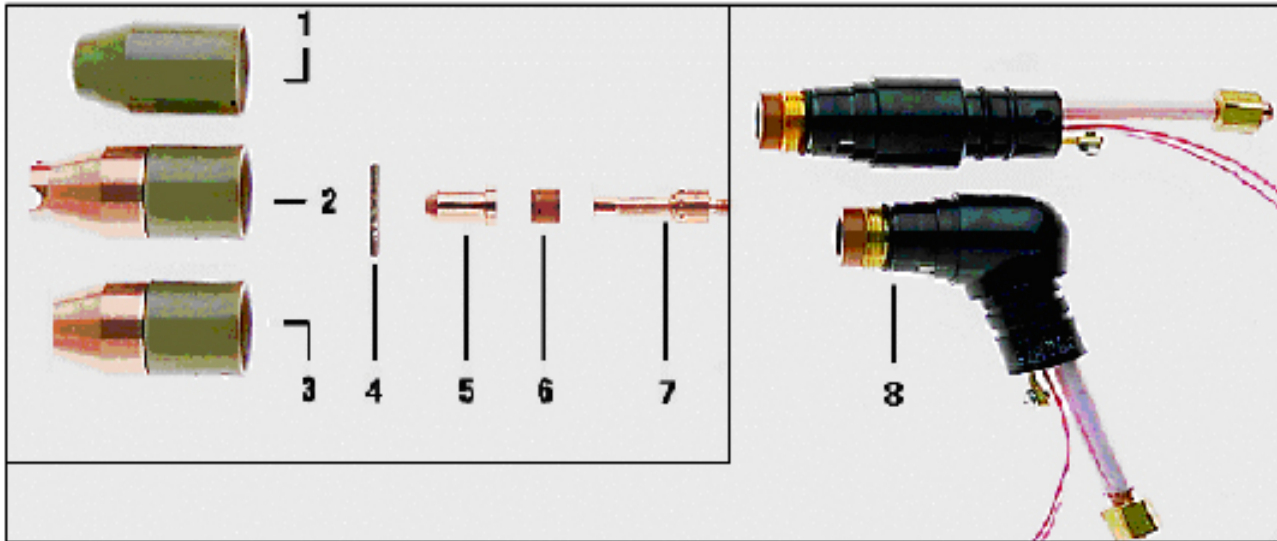


SL100 1Torch

Item	Catalog Number	Description
1	9-8219	SL100 Torch Head, 75°
2	9-8215	Electrode, MaxLife
3	9-8213	Start Cartridge
4	9-8205	Tip, 20A Drag
4	9-8206	Tip, 30A Drag
4	9-8207	Tip, 40A Drag
4	9-8208	Tip, 40A Standoff
4	9-8209	Tip, 50/55A Standoff
4	9-8210	Tip, 60A Standoff
4	9-8252	Tip, 60A Drag
4	9-8231	Tip, 70A Standoff
4	9-8211	Tip, 80A Standoff
4	9-8212	Tip, 90/100A Standoff
4	9-8253	Tip, 120A Standoff
4	9-8225	Tip, A Gouging
4	9-8226	Tip, B Gouging
4	9-8227	Tip, C Gouging
4	9-8228	Tip, D Gouging
4	9-8254	Tip, E Gouging
5	9-8218	Shield Cup, Standard
6	9-8237	Shield Cup, MaxLife
7	9-8235	50/60A Drag Shield
7	9-8236	70/100A Drag Shield
7	9-8258	120A Drag Shield
8	9-8243	Deflector
9	9-8241	Shield, Gouging
N/S	9-8251	Standoff Cutting Guide, 40-60A (Preset)
N/S	9-8281	Standoff Cutting Guide, 80-120A (Preset)
N/S	9-8422	Standoff Cutting Guide, 40-60A (Adjust)



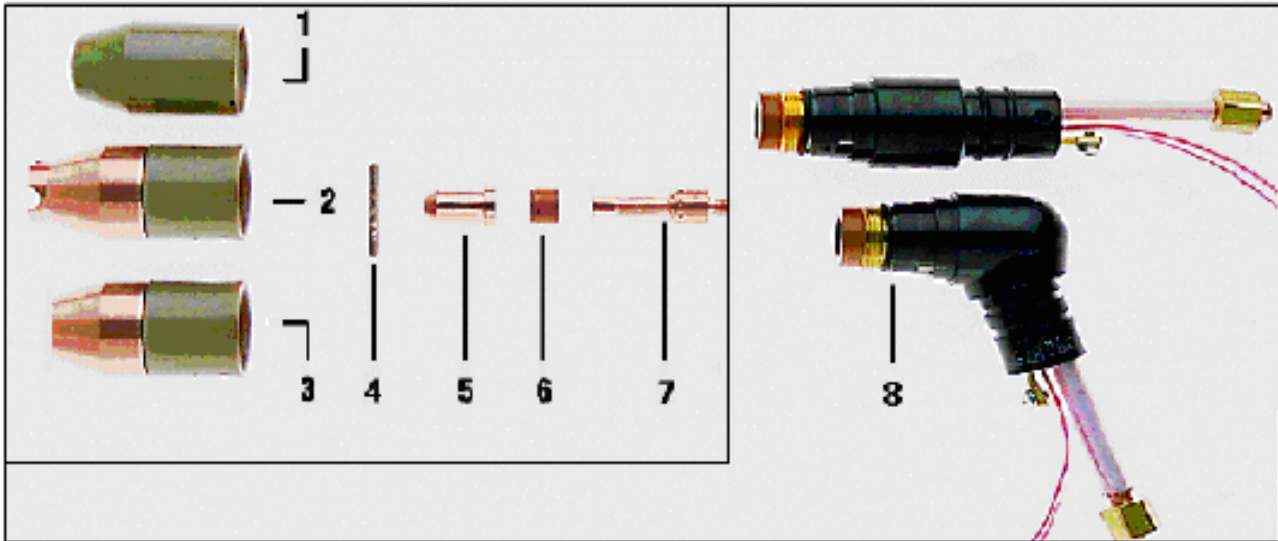
RPT 1Torch, Cutmaster 81/100/102/151/152



PCH/M-60

Item	Catalog Number	Description
1	8-7500	Shield Cup - Std
2	8-7507	Shield Cup - Crown
3	8-7496	Shield Cup - Maximum Life
4	9-7501	Canted Coil Spring
5	8-7503	Tip - Drag (35A)
5	9-7726	Tip - Standoff 60A
5	8-7506	Tip - Gouging
6	8-7501	Gas Distributor - Cutting
6	8-7508	Gas Distributor - Gouging
7	8-7502	Electrode
8	9-8075	PCH-60 70° Torch Head
8	9-8074	PCH-60 90° Torch Head
8	9-8073	PCH-60 180° Torch Head

Pakmaster 75XL



PCH/M-80

Item	Catalog Number	Description
1	8-7500	Shield Cup - Std
2	8-7507	Shield Cup - Crown
3	8-7496	Shield Cup - Maximum Life
4	9-7501	Canted Coil Spring
5	8-7503	Tip - Drag (35A)
5	9-7728	Tip - Standoff 80A
5	8-7506	Tip - Gouging
6	8-7501	Gas Distributor - Cutting
6	8-7508	Gas Distributor - Gouging
7	8-7502	Electrode
8	9-8075	PCH-80 70° Torch Head
8	9-8074	PCH-80 90° Torch Head
8	9-8073	PCH-80 180° Torch Head

Pakmaster 100XL



Glossary of Terms

Arc Voltage:	The DC voltage measured between the electrode and the work lead while transferring.
Bevel Angle:	The angle that the cut is off from square.
Consumables:	The tip, electrode, shield cup and gas distributor.
CSD:	Corner Slow-Down. Reduces the transferred current so that less material is taken away. Used in automated applications. (Not all plasma systems have this capability)
Drag Cutting:	Cutting while the torch tip is touching the material.
Dross:	The molten material build-up on the bottom and top of the plate that is not blown away and solidifies.
Dual-Gas Torch:	Separate gas supplies for the plasma and secondary in the torch. This allows same gas or mixing of gasses for more desirable cut quality. Can be the same or different gas.
Electrode:	The torch part that emits the electric current through an insert of hafnium or tungsten.
Gas Distributor:	A non-conductive material that swirls the gas to help generate a plasma gas column.
FETs:	Field Effect Transistors. Used to generate the AC from the DC voltage.
Kerf Width:	Width of material removed during transfer.
Negative Lead:	The electrical path out of the power supply to the electrode in which the cutting and pilot current flows.
OCV:	Open Circuit Voltage: maximum DC voltage attained by the power supply.
Orifice:	The opening at the end of the tip that constricts the plasma gas column.

- Pierce Height:** The distance from tip to material before cutting a hole.
- Pilot Arc:** A non-transferred plasma arc used to initiate the main transferred arc, typically 5 to 12 amps.
- Pilot Lead:** The positive electrical path from the tip to the power supply in which the pilot current flows.
- PIP:** Parts In Place. An interlock that prevents torch piloting and transferring while the shield cup is not installed.
- Plasma Arc:** Electrically super-heated ionized gas (Fourth State of Matter).
- Plasma Gas:** The gas that is ionized to create a plasma arc.
- Secondary Gas:** The gas that is directed around the tip for cooling as well as removing the molten material
- Shield Cup:** Directs the secondary gas closely around the tip to maintain cooling and blowing the molten material away.
- Single-Gas Torch:** Both plasma and secondary gases are from the same source, then split in the torch head. Typically uses compressed air or Nitrogen.
- Stand-off Height:** The distance from tip to material while transferring.
- Tip:** Directs the plasma arc through the orifice to create a plasma gas column. Also acts as part of the return path for the pilot arc.
- Transferred Arc:** A plasma arc that is higher in current than the pilot arc and is used to heat up the material and blow it away. The material must be electrically conductive.
- Work Lead:** The return path used when a transferred arc is established.

U.S. Customer Care: 800-426-1888 / FAX 800-535-0557 • Canada Customer Care: 905-827-4515 / FAX 800-588-1714
International Customer Care: 940-381-1212 / FAX 940-483-8178 • www.thermal-dynamics.com



WORLD HEADQUARTERS: 16052 Swingley Ridge Road, Suite 300 • St. Louis, Missouri 63017 U.S.A.

A Global Cutting & Welding Market Leader™